

*If you have questions or comments, contact us.
Pour toute question ou tout commentaire, nous contacter.
Si tiene dudas o comentarios, contáctenos.*

1-800-4-DEWALT • www.dewalt.com

**INSTRUCTION MANUAL
GUIDE D'UTILISATION
MANUAL DE INSTRUCCIONES**

INSTRUCTIVO DE OPERACIÓN, CENTROS DE SERVICIO Y PÓLIZA DE GARANTÍA. **ADVERTENCIA:** LÉASE ESTE INSTRUCTIVO ANTES DE USAR EL PRODUCTO.

DEWALT®

DCR015

12V/20V Max* Li-Ion Heavy-Duty Work Site Charger/Radio

Chargeur/radio à usage industriel de 12V/20V max* Li-Ion

Cargador/radio para emplazamientos de trabajo pesado de 12V/20V Máx* Li-Ion



Definitions: Safety Guidelines

The definitions below describe the level of severity for each signal word. Please read the manual and pay attention to these symbols.

⚠ DANGER: Indicates an imminently hazardous situation which, if not avoided, **will** result in **death or serious injury**.

⚠ WARNING: Indicates a potentially hazardous situation which, if not avoided, **could** result in **death or serious injury**.

⚠ CAUTION: Indicates a potentially hazardous situation which, if not avoided, **may** result in **minor or moderate injury**.

NOTICE: Indicates a practice **not related to personal injury** which, if not avoided, **may** result in **property damage**.

IF YOU HAVE ANY QUESTIONS OR COMMENTS ABOUT THIS OR ANY DEWALT TOOL, CALL US TOLL FREE AT: **1-800-4-DeWALT (1-800-433-9258)**.



WARNING: To reduce the risk of injury, read the instruction manual.

DCR015 Heavy-Duty Work Site Charger/ Radio

The DCR015 Heavy-Duty Work Site Charger/Radio is a combination AM/FM radio and DEWALT charger. The DCR015 will charge most DEWALT 12 V Max* and 20 V Max* Li-Ion batteries. Batteries sold separately.

Important Safety Instructions

1. Read these instructions.
2. Keep these instructions.
3. Heed all warnings.

4. Follow all instructions.
5. Do not use this apparatus near water.
6. Clean only with a dry cloth.
7. Do not block any ventilation openings. Install in accordance with the manufacturer's instructions.
8. Do not install near any heat sources such as radiators, heat registers, stoves or other apparatus (including amplifiers) that produce heat.
9. Do not defeat the safety purpose of the polarized or grounding-type plug. A polarized plug has two blades with one wider than the other. A grounding type plug has two blades and a third grounding prong. The wide blade or the third prong are provided for your safety. If the provided plug does not fit into your outlet, consult an electrician for replacement of the obsolete outlet.
10. Protect the power cord from being walked on or pinched particularly at plugs, convenience receptacles, and the point where they exit from the apparatus.
11. Only use attachments/accessories specified by the manufacturer.
12. Use only with the cart, stand, tripod, bracket, or table specified by the manufacturer, or sold with the apparatus. When a cart is used, use caution when moving the cart/apparatus combination to avoid injury from tip-over.
13. Unplug this apparatus during lightning storms or when unused for long periods of time.
14. Refer all servicing to qualified service personnel. Servicing is required when the apparatus has been damaged in any way, such as power-supply cord or plug is damaged, liquid has been spilled or objects have fallen into the apparatus, the apparatus has been exposed to rain or moisture, does not operate normally, or has been dropped.



15. Apparatus shall not be exposed to dripping or splashing and no objects filled with liquids, such as vases, shall be placed on the apparatus



The lightning flash with arrow head within a triangle is intended to tell the user that parts inside the product are a risk of electric shock to persons.



The exclamation point within a triangle is intended to tell the user that important operating and servicing instructions are in the papers with the appliance.

This Class B digital apparatus complies with Canadian ICES-003.

NOTE: This equipment has been tested and found to comply with the limits for a Class B digital device, pursuant to Part 15 of the FCC Rules. These limits are designed to provide reasonable protection against harmful interference in a residential installation. This equipment generates, uses and can radiate radio frequency energy and, if not installed and used in accordance with the instructions, may cause harmful interference to radio communications. However, there is no guarantee that interference will not occur in a particular installation. If this equipment does cause harmful interference to radio or television reception, which can be determined by turning the equipment off and on, the user is encouraged to try to correct the interference by one or more of the following measures:

- Reorient or relocate the receiving antenna.
- Increase the separation between the equipment and the receiver.
- Connect the equipment into an outlet on a circuit different from that to which the receiver is connected
- Consult the dealer or an experienced radio/TV technician for help.

NOTICE: Per FCC Part 15, changes or modifications to this equipment not expressly approved by DEWALT could void your authority to operate this equipment.

⚠ WARNING: To reduce the risk of fire or electric shock, do not expose this apparatus to rain or moisture. Use only in dry locations.

⚠ CAUTION: To prevent electric shock, match wide blade of plug to wide slot fully insert.

- The label on your tool may include the following symbols. The symbols and their definitions are as follows:

V..... volts	A..... amperes
Hz..... hertz	W..... watts
min minutes	~ alternating current
=== direct current	⎓ alternating or direct current
Ⓛ..... Class I Construction (grounded)	n ₀ no load speed
Ⓜ..... Class II Construction (double insulated)	n rated speed
.../min per minute	⊕ earthing terminal
IPM..... impacts per minute	⚠..... safety alert symbol
SPM strokes per minute	BPM beats per minute
	RPM revolutions per minute
	sfp _m surface feet per minute

Important Safety Instructions for All Battery Packs

When ordering replacement battery packs, be sure to include the catalog number and voltage. Consult the chart at the end of this manual for compatibility of chargers and battery packs.

The battery pack is not fully charged out of the carton. Before using the battery pack and charger, read the safety instructions below and then follow charging procedures outlined.

READ ALL INSTRUCTIONS

- **Do not charge or use the battery pack in explosive atmospheres, such as in the presence of flammable liquids, gases or dust.** Inserting or removing the battery pack from the charger may ignite the dust or fumes.
- **NEVER force the battery pack into the charger. DO NOT modify the battery pack in any way to fit into a non-compatible charger as battery pack may rupture causing serious personal injury.** Consult the chart at the end of this manual for compatibility of batteries and chargers.
- Charge the battery packs only in designated DEWALT chargers.
- **DO NOT splash or immerse in water or other liquids.**
- **Do not store or use the tool and battery pack in locations where the temperature may reach or exceed 105 °F (40 °C) (such as outside sheds or metal buildings in summer).** For best life store battery packs in a cool, dry location.

NOTE: Do not store the battery packs in a tool with the trigger switch locked on. Never tape the trigger switch in the ON position.

⚠ WARNING: Fire hazard. Never attempt to open the battery pack for any reason. If the battery pack case is cracked or damaged, do not insert into the charger. Do not crush, drop or damage the battery pack. Do not use a battery pack or charger that has received a sharp blow, been dropped, run over or damaged in any way (e.g., pierced with a nail, hit with a hammer, stepped on). Damaged battery packs should be returned to the service center for recycling.

⚠ WARNING: Fire hazard. Do not store or carry the battery pack so that metal objects can contact exposed battery terminals. For example, do not place the battery pack in aprons, pockets, tool boxes, product kit boxes, drawers, etc., with loose nails, screws, keys, etc. **Transporting batteries can possibly cause fires if the battery terminals inadvertently come in contact**

with conductive materials such as keys, coins, hand tools and the like. The US Department of Transportation Hazardous Material Regulations (HMR) actually prohibit transporting batteries in commerce or on airplanes (e.g., packed in suitcases and carry-on luggage) UNLESS they are properly protected from short circuits. So when transporting individual battery packs, make sure that the battery terminals are protected and well insulated from materials that could contact them and cause a short circuit.

SPECIFIC SAFETY INSTRUCTIONS FOR LITHIUM ION (Li-Ion)

- **Do not incinerate the battery pack even if it is severely damaged or is completely worn out.** The battery pack can explode in a fire. Toxic fumes and materials are created when lithium ion battery packs are burned.
- **If battery contents come into contact with the skin, immediately wash area with mild soap and water.** If battery liquid gets into the eye, rinse water over the open eye for 15 minutes or until irritation ceases. If medical attention is needed, the battery electrolyte is composed of a mixture of liquid organic carbonates and lithium salts.
- **Contents of opened battery cells may cause respiratory irritation.** Provide fresh air. If symptoms persist, seek medical attention.

⚠ WARNING: Burn hazard. Battery liquid may be flammable if exposed to spark or flame.

The RBRC™ Seal

The RBRC™ (Rechargeable Battery Recycling Corporation) Seal on the nickel cadmium, nickel metal hydride or lithium ion batteries (or battery packs) indicate that the costs to recycle these batteries (or battery packs) at the end of their useful life have already been paid by DEWALT. In some



areas, it is illegal to place spent nickel cadmium, nickel metal hydride or lithium ion batteries in the trash or municipal solid waste stream and the RBRC program provides an environmentally conscious alternative.

RBRC™, in cooperation with DEWALT and other battery users, has established programs in the United States and Canada to facilitate the collection of spent nickel cadmium, nickel metal hydride or lithium ion batteries. Help protect our environment and conserve natural resources by returning the spent nickel cadmium, nickel metal hydride or lithium ion batteries to an authorized DEWALT service center or to your local retailer for recycling. You may also contact your local recycling center for information on where to drop off the spent battery.

RBRC™ is a registered trademark of the Rechargeable Battery Recycling Corporation.

Important Safety Instructions for All Battery Chargers

SAVE THESE INSTRUCTIONS: This manual contains important safety and operating instructions for battery chargers.

- Before using the charger, read all instructions and cautionary markings on the charger, battery pack and product using the battery pack.

⚠ WARNING: Shock hazard. Do not allow any liquid to get inside the charger. Electric shock may result.

⚠ CAUTION: Burn hazard. To reduce the risk of injury, charge only DEWALT rechargeable battery packs. Other types of batteries may overheat and burst resulting in personal injury and property damage.

NOTICE: Under certain conditions, with the charger plugged into the power supply, the charger can be shorted by foreign material. Foreign materials of a conductive nature, such as, but not limited to, grinding dust, metal chips, steel wool, aluminum foil or any buildup of metallic particles should be kept away from the charger cavities.

Always unplug the charger from the power supply when there is no battery pack in the cavity. Unplug the charger before attempting to clean.

- **DO NOT attempt to charge the battery pack with any chargers other than the ones in this manual.** The charger and battery pack are specifically designed to work together.
- **These chargers are not intended for any uses other than charging DEWALT rechargeable batteries.** Any other uses may result in risk of fire, electric shock or electrocution.
- **Do not expose the charger to rain or snow.**
- **Pull by the plug rather than the cord when disconnecting the charger.** This will reduce the risk of damage to the electric plug and cord.
- **Make sure that the cord is located so that it will not be stepped on, tripped over or otherwise subjected to damage or stress.**
- **Do not use an extension cord unless it is absolutely necessary.** Use of improper extension cord could result in risk of fire, electric shock or electrocution.
- **When operating a charger outdoors, always provide a dry location and use an extension cord suitable for outdoor use.** Use of a cord suitable for outdoor use reduces the risk of electric shock.
- **An extension cord must have adequate wire size (AWG or American Wire Gauge) for safety.** The smaller the gauge number of the wire, the greater the capacity of the cable, that is, 16 gauge has more capacity than 18 gauge. An undersized cord will cause a drop in line voltage resulting in loss of power and overheating. When using more than one extension to make up the total length, be sure each individual extension contains at least the minimum wire size. The following table shows the correct size to use depending on cord length and nameplate ampere rating. If in doubt, use the next heavier gauge. The lower the gauge number, the heavier the cord.

Charge Indicators

This charger is designed to detect certain problems that can arise. Problems are indicated by the red light flashing at a fast rate. If this occurs, re-insert the battery pack into the charger. If the problem persists, try a different battery pack to determine if the charger is working properly. If the new pack charges correctly, then the original pack is defective and should be returned to a service center or other collection site for recycling. If the new battery pack elicits the same trouble indication as the original, have the charger and the battery pack tested at an authorized service center.

HOT/COLD DELAY

This charger has a hot/cold delay feature: when the charger detects a battery that is hot, it automatically starts a delay, suspending charging until the battery has cooled. After the battery has cooled, the charger automatically switches to the pack charging mode. This feature ensures maximum battery life. The red light flashes long, then short while in the hot/cold delay mode.

LEAVING THE BATTERY PACK IN THE CHARGER

The charger and battery pack can be left connected with the charge indicator showing Pack Charged.

WEAK BATTERY PACKS: Weak batteries will continue to function but should not be expected to perform as much work.

FAULTY BATTERY PACKS: This charger will not charge a faulty battery pack. The charger will indicate faulty battery pack by refusing to light or by displaying problem pack or charger.

NOTE: This could also mean a problem with a charger.

Important Charging Notes

1. Longest life and best performance can be obtained if the battery pack is charged when the air temperature is between 65 °F and 75 °F (18°–24 °C). DO NOT charge the battery pack in an air temperature below +40 °F (+4.5 °C), or above +105 °F (+40.5 °C). This is important and will prevent serious damage to the battery pack.
2. The charger and battery pack may become warm to the touch while charging. This is a normal condition, and does not indicate a problem. To facilitate the cooling of the battery pack after use, avoid placing the charger or battery pack in a warm environment such as in a metal shed or an uninsulated trailer.
3. A cold battery pack will charge at about half the rate of a warm battery pack. The battery pack will charge at that slower rate throughout the entire charging cycle and will not return to maximum charge rate even if the battery pack warms.
4. If the battery pack does not charge properly:
 - a. Check operation of receptacle by plugging in a lamp or other appliance;
 - b. Check to see if receptacle is connected to a light switch which turns power off when you turn out the lights;
 - c. Move the charger and battery pack to a location where the surrounding air temperature is approximately 65 °F–75 °F (18°–24 °C);
 - d. If charging problems persist, take the tool, battery pack and charger to your local service center.

5. The battery pack should be recharged when it fails to produce sufficient power on jobs which were easily done previously. DO NOT CONTINUE to use under these conditions. Follow the charging procedure. You may also charge a partially used pack whenever you desire with no adverse effect on the battery pack.
6. Foreign materials of a conductive nature such as, but not limited to, grinding dust, metal chips, steel wool, aluminum foil, or any buildup of metallic particles should be kept away from charger cavities. Always unplug the charger from the power supply when there is no battery pack in the cavity. Unplug the charger before attempting to clean.
7. Do not freeze or immerse the charger in water or any other liquid.

⚠ WARNING: Shock hazard. Don't allow any liquid to get inside the charger. Electric shock may result.

⚠ WARNING: Burn hazard. Do not submerge the battery pack in any liquid or allow any liquid to enter the battery pack. Never attempt to open the battery pack for any reason. If the plastic housing of the battery pack breaks or cracks, return to a service center for recycling.

Storage Recommendations

1. The best storage place is one that is cool and dry, away from direct sunlight and excess heat or cold.
2. For long storage, it is recommended to store a fully charged battery pack in a cool dry place out of the charger for optimal results.

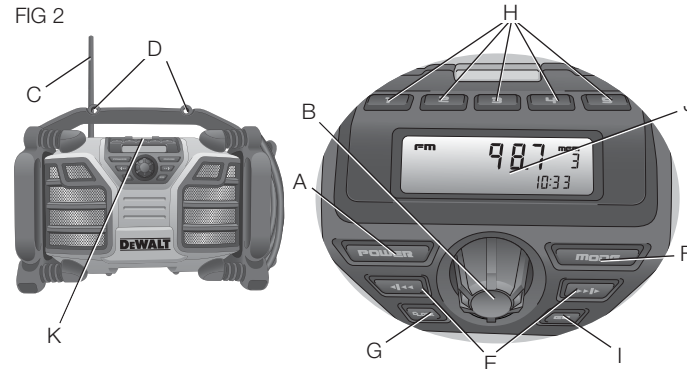
NOTE: Battery packs should not be stored completely depleted of charge. The battery pack will need to be recharged before use.

SAVE THESE INSTRUCTIONS FOR FUTURE USE

COMPONENTS (FIG. 2)

- | | |
|-----------------------------|-----------------------------|
| A. ON/OFF button | G. Clock button |
| B. Volume knob | H. Radio preset buttons |
| C. Antenna | I. EQ button |
| D. Hang holes | J. LCD display |
| E. Seek/tuner/arrow buttons | K. Charging indicator light |
| F. Mode button | L. Charger selection switch |
- (FIG. 3, 4)

FIG 2



OPERATION

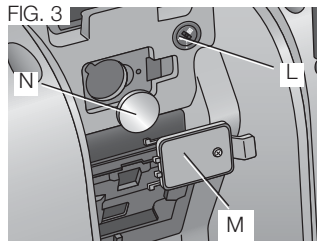
⚠ WARNING: To reduce the risk of injury, turn unit off and disconnect it from power source before installing and removing accessories, before adjusting or when making repairs. An accidental start-up can cause injury.

Your charger/radio is equipped with memory capacity in order to store the time and your selected memory channels. When the radio is in the OFF position, this memory capacity is powered by one coin cell battery that is included with the charger/radio.

TO INSTALL COIN CELL BATTERY (FIG. 3)

⚠ WARNING: Danger of explosion if battery is incorrectly replaced. When replacing battery, replace it with the same or equivalent type CR2032. Observe correct polarity (+ and -) when replacing batteries. Do not store or carry batteries so that metal objects can contact exposed battery terminals.

1. Open the battery compartment by lifting the battery compartment latch.
2. Turn the screw on the battery door (M) counterclockwise to remove. Screw will remain captive in the door.
3. Press down on the battery door latch and pull to open.
4. Install the coin cell battery (N) according to the diagram inside the coin cell battery area.
5. Replace the battery door, insert the screw and tighten.
6. Securely close the battery compartment.



NOTE: To reset the LCD display, clock, and pre-sets remove the coin cell battery and re-install. Follow this procedure if the screen seems to lock in place.

⚠ DANGER: DO NOT INGEST BATTERY; CHEMICAL BURN HAZARD. This product contains a coin/button cell battery. If the coin/button cell battery is swallowed, it can cause severe internal burns in just 2 hours and can lead to death. Keep new and used batteries away from children. If the battery compartment does not close securely stop using the product and keep it away from children. If you think batteries might have been swallowed or placed inside any part of the body, seek immediate medical attention.

CHARGER SELECTION SWITCH (FIG. 3, 4)

When the unit is plugged into an AC power outlet, this switch (L), located in the battery compartment, allows you to set the device to its lowest power consuming state (charger only) by disabling the radio. Aligning the line to the triangle enables the charger/radio mode.

Aligning circle and the triangle disables the radio and turns device to its lowest power draw mode, charger only.

NOTE: When the unit is operating solely on battery power, the radio will continue to function in either mode.

FIG. 4

**POWER/VOLUME ADJUSTMENT**

1. To turn the radio on and off, press the ON/OFF button (A).
2. Turn the dial (B) clockwise to increase the volume. To decrease the volume, turn counterclockwise.

MODE FUNCTION

To choose one of the mode functions (FM1, FM2, AM, or AUX) push the mode button (F) until the desired function is found. For example, if the radio is on FM1, seen in upper left portion of LCD display (J), push the mode button three times to change to AUX.

TUNE OR SEEK FUNCTION

There are two tuning methods and one seek method for finding the desired frequency.

To tune:

Press and hold the right or left arrow button (E) to quickly move the tuner through the frequency band. Release the button when the desired channel is reached.

To seek:

Press the right or left arrow button (E) once and release. The tuner frequency will change to seek the first radio station with acceptable clarity and stop at that station. The right arrow button may be pressed to continue seeking a radio station at higher frequencies. The left arrow button may be pressed to seek radio stations at lower frequencies. The seek function is available in AM and FM modes.

TO PROGRAM THE CLOCK

1. Turn power on (see **Power/Volume Adjustment**).
2. Press and hold the clock button (G) until time displayed in the LCD display (J) begins flashing.
3. Press the left arrow button repeatedly to increment the hour of the displayed time or press and hold the button to increment continuously. Use the right arrow button to adjust the minute in the same manner.

NOTE: If you do not press a button within 5 seconds, the clock programming feature will automatically return to the previous setting.

4. Once the time is set, press the clock button to stop the time displayed from flashing.

TO PROGRAM THE MEMORY BUTTONS

Ten FM and five AM radio stations may be independently set. After programming the buttons, pressing 1, 2, 3, 4 or 5 will instantly change the frequency to the preset station.

1. Turn power on.
2. Set the radio to desired station (see **Tune or Seek Function**).
3. Press and hold one of the desired memory preset buttons (H). The station setting begins flashing in the LCD display (J). Continue to hold the button down until the flashing stops. The preset button is now set.
4. Repeat steps 2 and 3 to set the other preset buttons.

TO ADJUST THE EQ

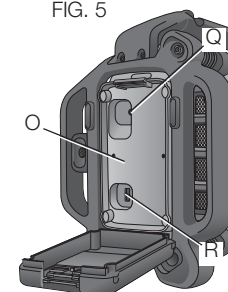
Sound quality can be adjusted by changing the equalization of the bass or treble of the radio.

1. Press the EQ button to select bass or treble.
2. Press the right arrow button to increase the selected setting or the left arrow button to decrease it.
3. Once desired adjustment is achieved, leave all buttons released for more than 3 seconds. The procedure will exit and the equalization adjustment will remain activated.

PLAYING AUDIO THROUGH AN EXTERNAL DEVICE (FIG. 5)

The charger/radio's device storage box (O) can store and protect some smart phones or other portable audio devices. To play sound from your device through the speakers of the DCR015 connect the 3.5mm audio cable to the radio's auxiliary port (Q) and plug it to the output jack of your audio device. The USB port (R) charges/powers most devices that can accept power through a USB port only when the charger/radio is plugged into an AC power source.

FIG. 5



NOTE: When the radio is plugged in it will charge the installed battery. Unplugged, the radio will run up to 8 hours on a fully charged battery using a premium 20 V Max* Li-Ion battery. Using batteries of lower voltage and amp hours will yield less run time.

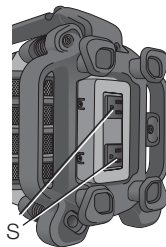
AC OUTLETS (FIG. 6)

The charger/radio is equipped with 2 AC outlets (S) for powering additional tools or appliances.

Important Radio Notes

1. Reception will vary depending on location and strength of radio signal.
2. Running the radio while connected to certain generators may cause background noise.
3. AM reception will most likely be clearer when powered by a battery pack.

FIG. 6

**MAINTENANCE**

⚠ WARNING: To reduce the risk of injury, turn unit off and disconnect it from power source before installing and removing accessories, before adjusting or when making repairs. An accidental start-up can cause injury.

Cleaning

⚠ WARNING: Blow dirt and dust out of all air vents with clean, dry air at least once a week. To minimize the risk of eye injury, always wear ANSI Z87.1 approved eye protection when performing this.

⚠ WARNING: Never use solvents or other harsh chemicals for cleaning the non-metallic parts of the tool. These chemicals may weaken the plastic materials used in these parts. Use a cloth dampened only with water and mild soap. Never let any liquid get inside the tool; never immerse any part of the tool into a liquid.

CHARGER CLEANING INSTRUCTIONS

⚠ WARNING: Shock hazard. Disconnect the charger from the AC outlet before cleaning. Dirt and grease may be removed from the exterior of the charger using a cloth or soft non-metallic brush. Do not use water or any cleaning solutions.

Accessories

⚠ WARNING: Since accessories, other than those offered by DEWALT, have not been tested with this product, use of such accessories with this tool could be hazardous. To reduce the risk of injury, only DEWALT recommended accessories should be used with this product.

Recommended accessories for use with your tool are available at extra cost from your local dealer or authorized service center. If you need assistance in locating any accessory, please contact DEWALT Industrial Tool Co., 701 East Joppa Road, Baltimore, MD 21286, call 1-800-4-DEWALT (1-800-433-9258) or visit our website: www.dewalt.com.

Repairs

The battery packs are not serviceable.

To assure product SAFETY and RELIABILITY, repairs, maintenance and adjustment (including brush inspection and replacement) should be performed by a DEWALT factory service center, a DEWALT authorized service center or other qualified service personnel. Always use identical replacement parts.

Register Online

Thank you for your purchase. Register your product now for:

- **WARRANTY SERVICE:** Registering your product will help you obtain more efficient warranty service in case there is a problem with your product.
- **CONFIRMATION OF OWNERSHIP:** In case of an insurance loss, such as fire, flood or theft, your registration of ownership will serve as your proof of purchase.
- **FOR YOUR SAFETY:** Registering your product will allow us to contact you in the unlikely event a safety notification is required under the Federal Consumer Safety Act.

Register online at www.dewalt.com/register.

Three Year Limited Warranty

DEWALT will repair, without charge, any defects due to faulty materials or workmanship for three years from the date of purchase. This warranty does not cover part failure due to normal wear or tool abuse. For further detail of warranty coverage and warranty repair information, visit www.dewalt.com or call 1-800-4-DEWALT (1-800-433-9258). This warranty does not apply to accessories or damage caused where repairs have been made or attempted by others. This warranty gives you specific legal rights and you may have other rights which vary in certain states or provinces.

In addition to the warranty, DEWALT tools are covered by our:

1 YEAR FREE SERVICE

DEWALT will maintain the tool and replace worn parts caused by normal use, for free, any time during the first year after purchase.

2 YEARS FREE SERVICE ON DEWALT BATTERY PACKS

DC9071, DC9091, DC9096, DC9280, DC9360, DC9180, DCB120, DCB201 and DCB203

3 YEARS FREE SERVICE ON DEWALT BATTERY PACKS

DCB200, DCB204

DEWALT BATTERY PACKS

Product warranty voided if the battery pack is tampered with in any way. DEWALT is not responsible for any injury caused by tampering and may prosecute warranty fraud to the fullest extent permitted by law.

90 DAY MONEY BACK GUARANTEE

If you are not completely satisfied with the performance of your DEWALT Power Tool, Laser, or Nailer for any reason, you can return it within 90 days from the date of purchase with a receipt for a full refund – no questions asked.

LATIN AMERICA: This warranty does not apply to products sold in Latin America. For products sold in Latin America, see country specific warranty information contained in the packaging, call the local company or see website for warranty information.

FREE WARNING LABEL REPLACEMENT: If your warning labels become illegible or are missing, call 1-800-4-DEWALT (1-800-433-9258) for a free replacement.

DCR015 WORK SITE CHARGER / RADIO

WARNING TO REDUCE THE RISK OF INJURY, USER MUST READ INSTRUCTION MANUAL, USE WITH DEWALT BATTERY. OTHERS MAY BURST CAUSING PERSONAL INJURY AND DAMAGE. DO NOT OPEN, NO SERVICEABLE PARTS.

THIS CLASS B DIGITAL APPARATUS COMPLIES WITH CANADIAN ICES-003. THIS DEVICE COMPLIES WITH PART 15 OF THE FCC RULES. OPERATION IS SUBJECT TO THE FOLLOWING TWO CONDITIONS: 1) THIS DEVICE MAY NOT CAUSE HARMFUL INTERFERENCE AND 2) THIS DEVICE MUST ACCEPT ANY INTERFERENCE RECEIVED INCLUDING INTERFERENCE THAT MAY CAUSE UNDESIRABLE OPERATION.

ADVERTENCIA/AVERTISSEMENT PARA REDUCIR EL RIESGO DE LESIONES, EL USUARIO DEBEA LEER EL MANUAL DE INSTRUCCIONES Y CARGAR CON UNA BATERÍA DEWALT. OTRAS BATERÍAS PODRAN ESTALAR Y PRODUCIR LESIONES CORPORALES Y DAÑO. NO ABRIRE, NO CONTIENE PIEZAS REPARABLES.

ESTE APARATO DE LA CLASE B DIGITAL SE CONFORMA CON ICES-003 CANADIENSE. ESTE APARATO CUMPLE CON LA SECCIÓN 15 DE LAS NORMAS FCC, LA OPERACIÓN DEL PRODUCTO ESTE SUJETO A LAS DOS CONDICIONES SIGUIENTES: 1) ESTE APARATO NO PUEDE CAUSAR INTERFERENCIA PERJUDICIAL. 2) ESTE APARATO DEBEA ACEPTAR CUALQUIER INTERFERENCIA RECIBIDA, INCLUYENDO LA INTERFERENCIA QUE PUEDE CAUSAR UN FUNDAMENTO INDESEABLE.

AUTRE PRECAUTION: USE ONLY DEWALT BATTERIES WITH AN AUGER-REEL SIGNAL. 3) ANY OTHER TYPE OF POWERBANK COULD CAUSE HARMFUL INTERFERENCE TO THE MATERIALS. NE PAS OUVRIRE, AUCUNE PIÈCE RÉPARABLE.

CET APPAREIL NUMÉRIQUE DE LA CLASSE B EST CONFORME À LA NORME AMÉRICAINNE FCC. SON FONCTIONNEMENT RESPECTE LES DEUX CONDITIONS SUIVANTES: 1) LE DISPOSITIF NE PEUT CAUSER AUCUNE INTERFÉRENCE NUISIBLE. 2) IL DOIT ACCEPTER TOUTE INTERFÉRENCE REÇUE, Y COMPRIS DES INTERFÉRENCES QUI POURRAIENT EN ALTÉRER LE FONCTIONNEMENT.

CAUTION ADVERTENCIA MISE EN GARDE

RISK OF ELECTRIC SHOCK, DO NOT OPEN. RIESGO DE CHOQUE ELÉCTRICO, NO ABRIRE. RISQUE DE SECOURS ÉLECTRIQUE, NE PAS OUVRIRE.

DEWALT BATTERY SYSTEM, INC., DAYTON, OH 45424-1099, USA
FOR SERVICE INFORMATION, CALL 1-800-4-DEWALT www.dewalt.com

DEWALT 12V MAX / 20V MAX LITHIUM ION

DCR015

PACK CHARGING (Lightning bolt icon) NOT/COLD DELAY (Snowflake icon)

PACK CHARGED (Green checkmark icon) PROBLEM PACK OR CHARGER (Red X icon)

AL SEE SAFETY INFORMATION ON INSIDERSIDE OF CHARGER. VER LA INFORMACIÓN DE SEGURIDAD EN LA PARTE INTERIOR DE CARGADOR. VOIR L'INFORMATION DE SÛRÉTÉ SUR LE REVERSE DE CHARGEUR.

English

Définitions : lignes directrices en matière de sécurité

Les définitions ci-dessous décrivent le niveau de danger pour chaque mot-indicateur employé. Lire le mode d'emploi et porter une attention particulière à ces symboles.

⚠ DANGER : indique une situation dangereuse imminente qui, si elle n'est pas évitée, **entraînera la mort ou des blessures graves**.

⚠ AVERTISSEMENT : indique une situation potentiellement dangereuse qui, si elle n'est pas évitée, **pourrait entraîner la mort ou des blessures graves**.

⚠ ATTENTION : indique une situation potentiellement dangereuse qui, si elle n'est pas évitée, **pourrait entraîner des blessures légères ou modérées**.

AVIS : indique une pratique ne posant **aucun risque de dommages corporels** mais qui par contre, si rien n'est fait pour l'éviter, **pourrait** poser des **risques de dommages matériels**.

POUR TOUTE QUESTION OU REMARQUE AU SUJET DE CET OUTIL OU DE TOUT AUTRE OUTIL DEWALT, COMPOSEZ LE NUMÉRO SANS FRAIS : **1-800-4-DEWALT (1-800-433-9258)**.



AVERTISSEMENT : afin de réduire le risque de blessures, lire le mode d'emploi de l'outil.

Chargeur/Radio industriel de chantier DCR015

Le chargeur/radio à usage industriel DCR015 est une combinaison de radio AM/FM et de chargeur DEWALT. Le DCR015 chargera la plupart des piles 12 V Max* et 20 V Max* Li-Ion. Piles vendues séparément.

Consignes de sécurité importantes

1. Lire ces directives.
2. Conserver ces directives.
3. Respecter tous les avertissements.
4. Suivre toutes les directives.
5. Ne pas utiliser cet appareil à proximité d'eau.
6. N'utiliser qu'un chiffon sec pour le nettoyage.
7. Ne bloquer aucun orifice d'aération. Installer conformément aux directives du fabricant.
8. Ne pas installer à proximité de sources de chaleur, tels radiateurs, registres de chaleur, cuisinières ou tout autre appareil (y compris les amplificateurs).
9. Ne pas annihiler le but sécuritaire de la fiche polarisée ou mise à la terre. Une fiche polarisée possède deux lames dont l'une est plus large que l'autre. Une fiche mise à la terre possède deux lames et une troisième broche mise à la terre. La large lame ou la troisième broche ont été installée pour assurer votre sécurité. Si la fiche fournie ne rentre pas dans la prise utilisée, consulter un électricien pour faire changer cette prise désuète.
10. Protéger le cordon d'alimentation contre tout piétinement ou constriction particulièrement au niveau des fiches, des prises, et au point de sortie des appareils.
11. Utiliser exclusivement des accessoires recommandés par le fabricant.
12. Ne poser la radio que sur une surface plane et stable.

13. Débrancher l'appareil pendant les orages, ou lorsqu'il restera inutilisé pendant une période prolongée.

14. Confier l'entretien de l'appareil aux soins d'un personnel qualifié. Faire systématiquement entretenir l'appareil en cas de dommages quelconques, tels que : le cordon électrique, ou une fiche, a été endommagé, un liquide ou un objet a pénétré dans l'appareil, l'appareil a été exposé à la pluie ou à l'humidité, il ne fonctionne pas normalement ou il a fait une chute.



15. Protéger l'appareil de tout liquide, ou éclaboussure, et ne disposer aucun objet rempli d'un liquide, (un vase par exemple) sur l'appareil.



Le symbole de l'éclair avec une flèche au sein d'un triangle a pour but de prévenir l'utilisateur que certaines pièces au sein du produit posent des risques de chocs électriques pour l'individu.



Le point d'exclamation au sein d'un triangle a pour but de prévenir l'utilisateur que des instructions importantes d'utilisation et d'entretien sont incluses dans les documents propres à l'appareil.

Cet appareil numérique de Classe B est conforme aux normes canadiennes ICES-003.

REMARQUE : cet équipement a été testé et jugé conforme aux limites propres aux appareils numériques de Classe B, conformément au Paragraphe 15 du règlement du FCC. Ces limites sont destinées à offrir une protection raisonnable contre les interférences nuisibles d'une installation résidentielle. Cet équipement produit, utilise et peut émaner des ondes radiofréquences et, s'il n'est pas installé et utilisé conformément aux directives du fabricant, peut causer des interférences nuisibles aux communications radio. En fonction des installations réalisées, il n'est cependant pas garanti que toute

interférence soit exclue. Si cet équipement cause des interférences nuisibles à toute réception radio ou télévision, ce qui peut être déterminé en allumant et éteignant l'équipement, l'utilisateur est encouragé à tenter de corriger ces interférences en prenant l'une ou plusieurs des mesures suivantes :

- Réorienter l'antenne de réception ou en changer l'emplacement ;
- Augmenter la distance entre l'équipement et le récepteur ;
- Brancher l'équipement à une prise située sur un circuit différent de celui sur lequel le récepteur est connecté ;
- Contacter le détaillant ou consulter un technicien radio/télé qualifié.

AVIS : conformément à la norme du FCC, Part 15, tout changement ou modification apporté à cet équipement, non approuvé expressément par DEWALT, peut annuler tout droit d'utilisation de cet équipement.

⚠ AVERTISSEMENT : pour réduire tout risque d'incendie ou de chocs électriques, protéger cet appareil contre la pluie ou l'humidité. Ne l'utiliser que dans des endroits secs.

⚠ ATTENTION : pour prévenir tout choc électrique, aligner la large lame de la fiche avec la large fente de la prise, et insérer à fond.

- L'étiquette apposée sur votre outil peut inclure les symboles suivants. Les symboles et leur définition sont indiqués ci-après :

V..... volts	A..... ampères
Hz..... hertz	W..... watts
min..... minutes	~ ou AC..... courant alternatif
— ou DC... courant continu	⊕ ou AC/DC... courant alternatif ou continu
Ⓛ..... classe I fabrication (mis à la terre)	

□.....	fabrication	n ₀	vitesse à vide
	classe II	n.....	vitesse nominale
	(double isolation)		
.../min.....	par minute	⊕.....	borne de terre
IPM.....	impacts par minute	▲.....	symbole d'avertissement
BPM.....	battements par minute	r/min.....	tours par minute
sfpm.....	pieds linéaires par minute (plpm)	SPM (FPM).....	fréquence par minute

Consignes importantes de sécurité propres à tous les blocs-piles

Pour commander un bloc-piles de recharge, s'assurer d'inclure son numéro de catalogue et sa tension. Consulter le tableau en dernière page de ce manuel pour connaître les compatibilités entre chargeurs et blocs-piles.

Le bloc-piles n'est pas totalement chargé d'usine. Avant d'utiliser le bloc-piles et le chargeur, lire les consignes de sécurité ci-dessous. Puis suivre la procédure de charge indiquée.

LIRE TOUTES LES CONSIGNES

- **Ne pas recharger ou utiliser un bloc-piles en milieu déflagrant, en présence, par exemple, de poussières, gaz ou liquides inflammables.** Le fait d'insérer ou retirer un bloc-piles de son chargeur pourrait causer l'inflammation de poussières ou d'émanations.

- **NE JAMAIS forcer l'insertion d'un bloc-piles dans un chargeur. NE modifier un bloc-piles d'AUCUNE façon pour le faire rentrer dans un chargeur incompatible, car il pourrait se briser et causer des dommages corporels graves.** Consulter le tableau en dernière page de ce manuel pour connaître les compatibilités entre chargeurs et blocs-piles.
- Recharger les blocs-piles exclusivement dans des chargeurs DEWALT.
- **NE PAS** éclabousser le bloc-piles ou l'immerger dans l'eau ou dans tout autre liquide.
- **Ne pas entreposer ou utiliser l'appareil et le bloc-piles en présence de températures ambiantes pouvant excéder 40 °C (105 °F) (comme dans des hangars ou des bâtiments métalliques l'été).** Pour préserver leur durée de vie, entreposer les blocs-piles dans un endroit frais et sec.
REMARQUE : ne pas mettre un bloc-piles dans un outil dont la gâchette est verrouillée en position de marche. Ne jamais bloquer l'interrupteur en position de MARCHE.
- ▲ **AVERTISSEMENT : risques d'incendie.** Ne jamais tenter d'ouvrir le bloc-piles pour quelque raison que ce soit. Si le boîtier du bloc-piles est fissuré ou endommagé, ne pas l'insérer dans un chargeur. Ne pas écraser, laisser tomber, ou endommager les blocs-piles. Ne pas utiliser un bloc-piles ou un chargeur qui a reçu un choc violent, ou si l'appareil est tombé, a été écrasé ou endommagé de quelque façon que ce soit (p. ex. percé par un clou, frappé d'un coup de marteau, piétiné). Les blocs-piles endommagés doivent être renvoyés à un centre de réparation pour y être recyclés.

⚠ AVERTISSEMENT : risques d'incendie. Au moment de ranger ou transporter le bloc-piles, s'assurer qu'aucun objet métallique n'entre en contact avec les bornes à découvert du bloc-piles. Par exemple, éviter de placer un bloc-piles dans un tablier, une poche, une boîte à outils ou un tiroir, etc. contenant des objets tels que des clous, des vis, des clés, etc. **Le fait de transporter des bloc-piles comporte des risques d'incendie, car les bornes des piles pourraient entrer, par inadvertance, en contact avec des objets conducteurs, tels que : clés, pièces de monnaie, outils ou autres.** La réglementation sur les produits dangereux (Hazardous Material Regulations) du département américain des transports interdit, en fait, le transport des piles pour le commerce ou dans les avions (ex : dans les bagages enregistrés ou à main) À MOINS qu'elles ne soient correctement protégées contre tout court-circuit. Aussi lors du transport individuel de blocs-piles, s'assurer que leurs bornes sont bien protégées et isolées de tout matériau pouvant entrer en contact avec elles et provoquer un court-circuit.

CONSIGNES DE SÉCURITÉ PROPRES AUX PILES AU LITHIUM-ION (Li-Ion)

- **Ne pas incinérer le bloc-piles même s'il est sévèrement endommagé ou complètement usagé, car il pourrait exploser et causer un incendie.** Pendant l'incinération des blocs-piles au lithium-ion, des vapeurs et matières toxiques sont dégagées.
- **En cas de contact du liquide de la pile avec la peau, rincer immédiatement au savon doux et à l'eau.** En cas de contact oculaire, rincer l'œil ouvert à l'eau claire une quinzaine de minutes ou jusqu'à ce que l'irritation cesse. Si des soins médicaux s'avéraient nécessaires, noter que l'électrolyte de la pile est composé d'un mélange de carbonates organiques liquides et de sels de lithium.

- **Le contenu des cellules d'une pile ouverte peut causer une irritation respiratoire.** En cas d'inhalation, exposer l'individu à l'air libre. Si les symptômes persistent, consulter un médecin.

⚠ AVERTISSEMENT : risques de brûlure. Le liquide de la pile peut s'enflammer s'il est exposé à des étincelles ou à une flamme.

Le sceau SRPRC^{MC}

Le sceau SRPRC^{MC} (Société de recyclage des piles rechargeables au Canada) apposé sur une pile au nickel-cadmium, à hydrure métallique de nickel ou au lithium-ion (ou un bloc-piles) indique que les coûts de recyclage de ces derniers en fin d'utilisation ont déjà été réglés par DEWALT. Dans certaines régions, la mise au rebut ou aux ordures municipales des piles au nickel-cadmium, à l'hydrure métallique de nickel ou au lithium-ion, est illégale ; le programme de SRPRC constitue donc une solution pratique et écologique.

La SRPRC^{MC}, en collaboration avec DEWALT et d'autres utilisateurs de piles, a mis sur pied des programmes aux États-Unis et au Canada pour faciliter la collecte des piles au nickel-cadmium, à l'hydrure métallique de nickel ou au lithium-ion usagées. Aidez-nous à protéger l'environnement et à conserver nos ressources naturelles en renvoyant les piles au nickel-cadmium, à l'hydrure métallique de nickel ou au lithium-ion usagées à un centre de réparation autorisé DEWALT ou chez votre détaillant afin qu'elles y soient recyclées. On peut en outre se renseigner auprès d'un centre de recyclage local pour connaître d'autres sites les acceptant.

SRPRC^{MC} est une marque déposée de la Société de recyclage des piles rechargeables au Canada.



Directives de sécurité importantes propres à tous les chargeurs de piles

CONSERVER CES INSTRUCTIONS : ce manuel contient des directives de sécurité et d'utilisation importantes propres aux chargeurs de piles.

- Avant d'utiliser le chargeur, lire toute consigne et tout avertissement apposés sur le chargeur, le bloc-piles et le produit utilisant le bloc-piles.

⚠ AVERTISSEMENT : risques de chocs électriques. Ne laisser aucun liquide pénétrer dans le chargeur, des chocs électriques pourraient en résulter.

⚠ ATTENTION : risques de brûlure. Pour réduire tout risque de dommages corporels, ne recharger que des blocs-piles rechargeables DEWALT. Tout autre type de piles pourrait exploser et causer des dommages corporels et matériels.

AVIS : sous certaines conditions, lorsque le chargeur est connecté au bloc d'alimentation, des matériaux étrangers pourraient court-circuiter le chargeur. Les corps étrangers conducteurs tels que (mais pas limité à) poussières de rectification, débris métalliques, laine d'acier, feuilles d'aluminium, ou toute accumulation de particules métalliques doivent être maintenus à distance des orifices du chargeur. Débrancher systématiquement le chargeur lorsque le bloc-piles n'y est pas inséré. Débrancher systématiquement le chargeur avant tout entretien.

- **NE PAS tenter de charger de bloc-piles avec des chargeurs autres que ceux décrits dans ce manuel.** Le chargeur et son bloc-piles ont été conçus tout spécialement pour fonctionner ensemble.
- **Ces chargeurs n'ont pas été conçus pour une utilisation autre que recharger les blocs-piles rechargeables DEWALT.** Toute autre utilisation comporte des risques d'incendie, de chocs électriques ou d'électrocution.

- **Protéger le chargeur de la pluie ou de la neige.**
- **Tirer sur la fiche plutôt que sur le cordon pour débrancher le chargeur.** Cela permet de réduire les risques d'endommager la fiche ou le cordon d'alimentation.
- **S'assurer que le cordon est protégé de manière à ce que personne ne marche ni ne trébuche dessus, ou à ce qu'il ne soit ni endommagé ni soumis à aucune tension.**
- **N'utiliser une rallonge qu'en cas de nécessité absolue.** L'utilisation d'une rallonge inadéquate comporte des risques d'incendie, de chocs électriques ou d'électrocution.
- **Pour utiliser un chargeur à l'extérieur, le placer dans un endroit sec et utiliser une rallonge conçue pour l'extérieur.** L'utilisation d'une rallonge conçue pour l'extérieur réduit les risques de chocs électriques.
- **Pour la sécurité de l'utilisateur, utiliser une rallonge de calibre adéquat (AWG, American Wire Gauge [calibrage américain normalisé des fils électriques]).** Plus le calibre est petit, et plus sa capacité est grande. Un calibre 16, par exemple, a une capacité supérieure à un calibre 18. L'usage d'une rallonge de calibre insuffisant causera une chute de tension qui entraînera perte de puissance et surchauffe. Si plus d'une rallonge est utilisée pour obtenir une certaine longueur, s'assurer que chaque rallonge présente au moins le calibre de fil minimum. Le tableau ci-dessous illustre les calibres à utiliser selon la longueur de rallonge et l'intensité nominale indiquée sur la plaque signalétique. En cas de doute, utiliser le calibre suivant. Plus le calibre est petit, plus la rallonge peut supporter de courant.

Calibres minimaux des rallonges						
Intensité (en ampères)		volts	Longueur totale de cordon en mètres (pieds)			
			120 V	7,6 (25)	15,2 (50)	30,5 (100)
		240 V	15,2 (50)	30,5 (100)	61,0 (200)	91,4 (300)
Supérieur à	Inférieur à	AWG				
0	6		18	16	16	14
6	10		18	16	14	12
10	12		16	16	14	12
12	16		14	12	Non recommandé	

- **Ne poser aucun objet sur le chargeur. Ne pas mettre le chargeur sur une surface molle qui pourrait en bloquer la ventilation et provoquer une surchauffe interne.** Éloigner le chargeur de toute source de chaleur. Le chargeur dispose d'orifices d'aération sur le dessus et le dessous du boîtier.
- **Ne pas le faire fonctionner avec un cordon d'alimentation ou une fiche endommagée.**
- **Ne pas utiliser le chargeur s'il a reçu un coup, fait une chute ou a été endommagé de quelque façon que ce soit.** Le ramener dans un centre de réparation agréé.
- **Ne pas démonter le chargeur. Pour tout service ou réparation, le rapporter dans un centre de réparation agréé.** Le fait de le réassembler de façon incorrecte comporte des risques de chocs électriques, d'électrocution et d'incendie.
- **Débrancher le chargeur du secteur avant tout entretien. Cela réduira tout risque de chocs électriques.** Le fait de retirer le bloc-piles ne réduira pas ces risques.

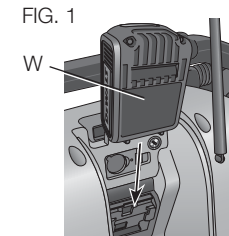
- **NE JAMAIS tenter de connecter 2 chargeurs ensemble.**
- **Le chargeur a été conçu pour être alimenté en courant électrique domestique standard de 120 volts. Ne pas tenter de l'utiliser avec toute autre tension.** Cela ne s'applique pas aux chargeurs de postes mobiles.

Chargeurs

L'outil utilise un chargeur DEWALT. S'assurer de bien lire toutes les directives de sécurité avant d'utiliser le chargeur. Consulter le tableau figurant à la fin du présent mode d'emploi pour connaître la compatibilité des chargeurs et des blocs-piles.

Procédure de charge (Fig. 1)

1. Branchez le chargeur dans la prise appropriée avant d'y insérer le bloc-piles.
2. Insérez le bloc-piles (W) dans le chargeur, comme illustré en Figure 1, en vous assurant qu'il y est correctement calé. Le voyant rouge (charge) clignotera de façon continue indiquant que le cycle de chargement a commencé.
3. En fin de charge, le voyant rouge restera ALLUMÉ de façon continue. Le bloc-piles est alors complètement chargé et peut être utilisé ou laissé dans le chargeur.



4. Si le bloc-piles ne se recharge pas correctement :
 - a. Vérifier le bon fonctionnement de la prise en y branchant une lampe ou tout autre appareil électrique.
 - b. Vérifier que la prise n'est pas contrôlée par un interrupteur qui coupe le courant lorsqu'on éteint les lumières.
 - c. Déplacer le chargeur et le bloc-piles dans un local où la température ambiante se trouve entre environ 18 ° et 24 °C (65 °F et 75 °F).
 - d. Si le problème persiste, amener l'outil, le bloc-piles et son chargeur dans un centre de réparation local.
5. Recharger le bloc-piles lorsqu'il ne produit plus assez de puissance pour effectuer un travail qu'il faisait facilement auparavant. NE PAS CONTINUER à l'utiliser dans ces conditions. Suivre la procédure de charge. Si nécessaire, il est aussi possible de recharger un bloc-piles partiellement déchargé sans effet nuisible sur le bloc-piles.
6. Les corps étrangers conducteurs tels que (mais pas limité à) poussières de rectification, débris métalliques, laine d'acier, feuilles d'aluminium, ou toute accumulation de particules métalliques doivent être maintenus à distance des orifices du chargeur. Débrancher systématiquement le chargeur lorsque le bloc-piles n'y est pas inséré. Débrancher systématiquement le chargeur avant tout entretien.
7. Ne pas congeler ou immerger le chargeur dans l'eau ou tout autre liquide.

⚠ AVERTISSEMENT : risques de chocs électriques. Ne laisser aucun liquide pénétrer dans le chargeur, des chocs électriques pourraient en résulter.

⚠ AVERTISSEMENT : risque de brûlure. Ne submerger le bloc-piles dans aucun liquide et le protéger de toute infiltration de liquide. Ne jamais tenter d'ouvrir le bloc-piles pour quelque raison que ce soit. Si le boîtier plastique du bloc-piles est brisé ou fissuré, le retourner dans un centre de réparation pour y être recyclé.

Recommandations de stockage

1. Le lieu idéal de rangement est un lieu frais et sec, à l'abri de toute lumière solaire directe et de toute température excessive.
2. Pour un stockage prolongé, il est recommandé d'entreposer le bloc-piles pleinement chargé dans un lieu frais et sec, hors du chargeur pour optimiser les résultats.

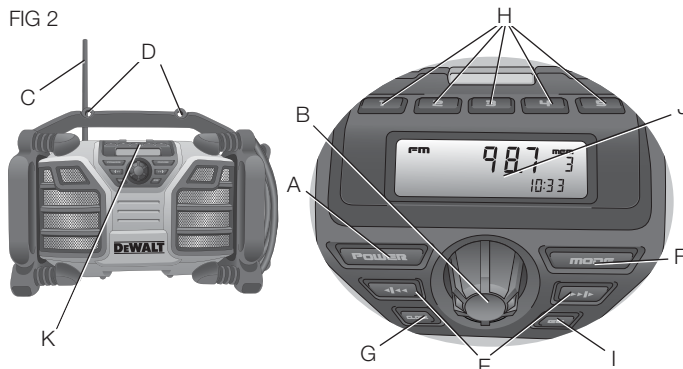
REMARQUE : les blocs-piles ne devraient pas être entreposés complètement déchargés. Il sera nécessaire de recharger le bloc-piles avant réutilisation.

CONSERVER CES CONSIGNES POUR UTILISATION ULTÉRIEURE

DESCRIPTION (FIG. 2)

- | | |
|---|--|
| A. Bouton MARCHÉ/ARRÊT | G. Bouton de l'horloge |
| B. Bouton du volume | H. Boutons de préréglage de la radio |
| C. Antenne | I. Bouton d'égalisation |
| D. Trous de suspension | J. Affichage LCD |
| E. Boutons de recherche/sintoniseur/fléchés | K. Témoin de charge |
| F. Bouton du mode | L. Interrupteur de sélection du chargeur (FIG. 3, 4) |

FIG 2



UTILISATION

⚠ AVERTISSEMENT : pour réduire le risque de blessures graves, éteindre l'outil et retirer le bloc-piles avant d'effectuer tout réglage et d'enlever ou d'installer tout accessoire. Un démarrage accidentel peut provoquer des blessures.

Votre chargeur/radio est équipé d'une capacité mémoire pour sauvegarder l'heure et vos stations préférées. Lorsque la radio est

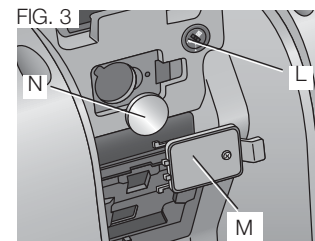
à l'ARRÊT, sa mémoire est alimentée par une pile bouton qui est incluse avec le chargeur/radio..

POUR INSTALLER UNE PILE BOUTON (FIG. 3)

⚠ AVERTISSEMENT : si la pile installée est incorrecte, il y aURA danger d'explosion. Pour changer de pile, la remplacer par une pile similaire CR2032 ou équivalente. Pour remplacer la pile, respecter la polarité (+ et -). Au moment d'entreposer ou transporter les piles, s'assurer qu'aucun objet métallique n'entre en contact avec leurs bornes à découvert.

1. Ouvrez le boîtier des piles en soulevant le verrou du boîtier des piles.
2. Tournez la vis sur le volet de fermeture (M) vers la gauche pour la retirer.
3. Appuyez sur le verrou du volet de fermeture puis tirez pour ouvrir.
4. Installez la pile bouton (N) en suivant le diagramme à l'intérieur de son réceptacle.
5. Réinstallez le volet de fermeture puis réinsérez la vis et revissez-la.
6. Refermez soigneusement le boîtier des piles.

FIG. 3



NOTE : Pour réinitialiser l'affichage LCD, l'horloge et les préréglages, retirez et réinstallez l'élément de pile plate. Suivez ce processus si l'écran semble bloqué.

⚠ DANGER : NE PAS INGÉRER LA PILE; DANGER DE BRÛLURE CHIMIQUE. Ce produit contient une pile plate qui, si en cas d'ingestion, peut causer de graves brûlures internes en seulement 2 heures et entraîner la mort.

Conservez les piles neuves et usagées hors de portée des enfants. Si le compartiment de la pile ne ferme pas

complètement, cessez d'utiliser le produit et conservez-le hors de portée des enfants.

Si vous pensez que des piles ont pu être avalées ou placées à l'intérieur d'une partie quelconque du corps, consultez immédiatement un médecin.

Quand l'unité est branchée dans une prise électrique CA, cet interrupteur (L), situé dans le compartiment de la pile, permet de régler l'appareil au régime qui consomme le moins d'énergie (chargeur seulement) en désactivant la radio.

Alignez la ligne sur le triangle pour passer en mode chargeur/radio.

Alignez le cercle et le triangle pour désactiver la radio et mettre le dispositif en régime de plus basse consommation d'énergie, c.-à-d., chargeur seulement.

NOTE : Quand l'unité fonctionne seulement sur la pile, la radio continuera de fonctionner dans l'un ou l'autre mode.

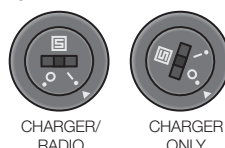
RÉGLAGE DE MARCHE/ARRÊT ET DU VOLUME

1. Appuyez sur le bouton MARCHE/ARRÊT (A) pour mettre la radio en marche ou l'arrêter.
2. Tournez le cadran (B) dans le sens des aiguilles d'une montre pour augmenter le volume, et dans le sens contraire pour le réduire.

FONCTION DU MODE

Pour choisir une de fonctions de mode (FM1, FM2, AM ou AUX), appuyez sur le bouton (F) jusqu'à ce que vous trouviez la fonction désirée. Par exemple, si la radio est sur FM1, comme indiqué dans la partie supérieure gauche de l'affichage LCD (J), appuyez trois fois sur le bouton du mode pour changer à AUX.

FIG. 4



FONCTION DE SYNTONISATION OU DE RECHERCHE

Il y a deux méthodes de syntonisation et une méthode de recherche pour trouver la fréquence désirée.

Pour syntoniser :

Appuyez sur le bouton de la flèche droite ou gauche (E) sans le relâcher afin de déplacer rapidement le syntoniseur dans la bande des fréquences. Lâchez le bouton quand vous avez trouvé le canal désiré.

Pour chercher un canal :

Appuyez une fois sur le bouton de la flèche droite ou gauche (E) et relâchez. La fréquence du syntoniseur changera à la première station de radio dont la clarté est acceptable. Appuyez sur le bouton de la flèche droite pour continuer à chercher une station de radio à des fréquences supérieures. Appuyez sur le bouton de la flèche gauche pour chercher des stations de radio à des fréquences inférieures. La fonction de recherche est disponible dans les modes AM et FM.

POUR PROGRAMMER L'HORLOGE

1. Mettez l'appareil en marche (voir Réglage de marche/arrêt et du volume).
2. Appuyez sur le bouton de l'horloge (G) sans le relâcher jusqu'à ce que l'heure affichée en LCD (J) commence à clignoter.
3. Appuyez plusieurs fois sur le bouton de la flèche gauche pour augmenter l'heure affichée ou gardez le doigt sur le bouton pour augmenter l'heure continuellement.

NOTE : Si vous n'appuyez pas sur un bouton dans le délai de 5 secondes, le dispositif de programmation de l'horloge retournera automatiquement au réglage précédent.

4. Quand l'heure est réglée, appuyez sur le bouton de l'horloge pour arrêter le clignotement de l'heure.

POUR PROGRAMMER LES BOUTONS DE LA MÉMOIRE

Il est possible de régler indépendamment dix stations FM et cinq stations AM. Après avoir programmé les boutons, appuyez sur 1, 2, 3, 4 ou 5 pour aller instantanément à la station préréglée.

1. Mettez l'appareil en marche.
2. Réglez la radio à la station désirée (voir Fonction de syntonisation ou de recherche).
3. Appuyez sur un bouton désiré de la mémoire (H) sans le relâcher. La station commence à clignoter dans l'affichage LCD (J). Gardez le doigt sur le bouton jusqu'à ce que le clignotement cesse. Le bouton de préréglage est maintenant réglé.
4. Refaites les étapes 2 et 3 pour régler d'autres boutons.

POUR AJUSTER L'ÉGALISATION

Il est possible d'ajuster la qualité du son en changeant l'égalisation des graves ou des aigus de la radio.

1. Appuyez sur le bouton EQ pour sélectionner grave ou aigu.
2. Appuyez sur le bouton de la flèche droite pour augmenter le réglage sélectionné ou sur le bouton de la flèche gauche pour le réduire.
3. Quand l'ajustement désiré est effectué, ne touchez pas aux boutons pendant plus de 3 secondes. Le processus se terminera et l'ajustement de l'égalisation demeurera.

ÉCOUTER L'AUDIO AU MOYEN D'UN DISPOSITIF EXTERNE (FIG. 5)

La boîte d'entreposage du dispositif du chargeur/radio (O) peut entreposer et protéger des téléphones intelligents et d'autres dispositifs audio portables. Pour entendre l'audio au moyen des haut-parleurs du DCR015, connectez le câble audio de 3,5 mm dans le port auxiliaire de la radio (Q) et branchez-le dans la prise de votre dispositif audio. Le port USB (R) charge/alimente la plupart des dispositifs qui acceptent une alimentation par un port USB seulement quand le chargeur/radio est branché dans une prise de courant CA.

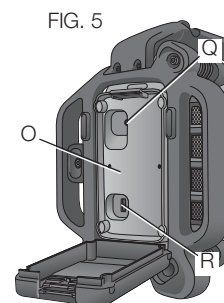


FIG. 5

NOTE : Quand la radio est branchée, elle charge la pile installée. Débranchée, la radio fonctionnera jusqu'à 8 heures quand la pile est pleinement chargée et s'il s'agit d'une pile Li-Ion 20 V MAX. Cette période sera réduite avec des piles de moindre voltage et ampères-heures.

PRISES CA (FIG. 6)

Le chargeur/radio est équipé de deux prises CA (S) pour alimenter d'autres outils ou appareils.

Notes importantes sur la radio

1. La réception variera en fonction de l'emplacement et de la puissance du signal radio.
2. Il peut y avoir un bruit de fond quand la radio est connectée à certaines génératrices.

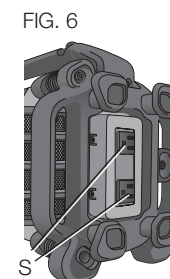


FIG. 6

3. La réception AM sera probablement plus nette si la radio est alimentée par un bloc-batterie.

MAINTENANCE

⚠ AVERTISSEMENT : pour réduire le risque de blessures graves, éteindre l'outil et retirer le bloc-piles avant d'effectuer tout réglage et d'enlever ou d'installer tout accessoire. Un démarrage accidentel peut provoquer des blessures.

Nettoyage

⚠ AVERTISSEMENT : enlever les saletés et la poussière hors des événements au moyen d'air comprimé propre et sec, au moins une fois par semaine. Pour minimiser le risque de blessure aux yeux, toujours porter une protection oculaire conforme à la norme ANSI Z87.1 lors du nettoyage.

⚠ AVERTISSEMENT : ne jamais utiliser de solvants ni d'autres produits chimiques puissants pour nettoyer les pièces non métalliques de l'outil. Ces produits chimiques peuvent affaiblir les matériaux de plastique utilisés dans ces pièces. Utiliser un chiffon humecté uniquement d'eau et de savon doux. Ne jamais laisser de liquide pénétrer dans l'outil et n'immerger aucune partie de l'outil dans un liquide.

INSTRUCTION DE NETTOYAGE DU CHARGEUR

⚠ AVERTISSEMENT : risque de choc. Débrancher le chargeur de la prise de courant C.A. avant de le nettoyer. La saleté et la graisse peuvent être enlevées de la surface extérieure du chargeur au moyen d'un chiffon ou d'une brosse douce non métallique. Ne pas utiliser d'eau ni d'autres solutions de nettoyage.

Accessoires

⚠ AVERTISSEMENT : puisque les accessoires autres que ceux offerts par DEWALT n'ont pas été testés avec ce produit, leur utilisation pourrait s'avérer dangereuse. Pour réduire le risque de blessures, utiliser exclusivement les accessoires DEWALT recommandés avec le présent produit.

Les accessoires recommandés pour cet outil sont vendus séparément au centre de service de votre région. Pour obtenir de l'aide concernant l'achat d'un accessoire, communiquer avec DEWALT Industrial Tool Co., 701 East Joppa Road, Baltimore, MD 21286 aux États-Unis; composer le 1 800 433-9258 (1 800 4-DEWALT) ou visiter notre site Web : www.dewalt.com.

Réparations

Le bloc-piles ne sont pas réparables.

Pour assurer la SÉCURITÉ et la FIABILITÉ du produit, les réparations, l'entretien et les réglages doivent être réalisés (cela comprend l'inspection et le remplacement du balai) par un centre de réparation en usine DEWALT, un centre de réparation agréé DEWALT ou par d'autres techniciens qualifiés. Toujours utiliser des pièces de rechange identiques.

Registre en ligne

Merci pour votre achat. Enregistrez dès maintenant votre produit:

- **RÉPARATIONS SOUS GARANTIE**: cette carte remplie vous permettra de vous prévaloir du service de réparations sous garantie de façon plus efficace dans le cas d'un problème avec le produit.
- **CONFIRMATION DE PROPRIÉTÉ**: en cas de perte provoquée par un incendie, une inondation ou un vol, cette preuve de propriété vous servira de preuve auprès de votre compagnie d'assurances.

- **SÉCURITÉ:** l'enregistrement de votre produit nous permettra de communiquer avec vous dans l'éventualité peu probable de l'envoi d'un avis de sécurité régi par la loi fédérale américaine de la protection des consommateurs.

Registre en ligne à www.dewalt.com/register.

Garantie limitée de trois ans

DEWALT réparera, sans frais, tout produit défectueux causé par un défaut de matériel ou de fabrication pour une période de trois ans à compter de la date d'achat. La présente garantie ne couvre pas les pièces dont la défectuosité a été causée par une usure normale ou l'usage abusif de l'outil. Pour obtenir de plus amples renseignements sur les pièces ou les réparations couvertes par la présente garantie, visiter le site www.dewalt.com ou composer le 1 800 433-9258 (1 800 4-DEWALT). Cette garantie ne s'applique pas aux accessoires et ne vise pas les dommages causés par des réparations effectuées par un tiers. Cette garantie confère des droits légaux particuliers à l'acheteur, mais celui-ci pourrait aussi bénéficier d'autres droits variant d'un état ou d'une province à l'autre.

En plus de la présente garantie, les outils DEWALT sont couverts par notre :

CONTRAT D'ENTRETIEN GRATUIT D'UN AN

DEWALT entretiendra l'outil et remplacera les pièces usées au cours d'une utilisation normale et ce, gratuitement, pendant une période d'un an à compter de la date d'achat.

CONTRAT D'ENTRETIEN GRATUIT DE DEUX ANS SUR LES BLOC-PILES DEWALT

DC9071, DC9091, DC9096, DC9280, DC9360, DC9180, DCB120, DCB201 et DCB203

CONTRAT D'ENTRETIEN GRATUIT DE TROIS ANS SUR LES BLOC-PILES DEWALT

DCB200, DCB204

BLOCS-PILES DEWALT

La garantie de ce produit sera annulée si le bloc-piles a été altéré de quelque façon que ce soit. DEWALT ne peut être tenu responsable de tout dommage corporel causé par l'altération du produit et pourra poursuivre toute fraude en matière de garantie dans toute l'étendue permise par la loi.

GARANTIE DE REMBOURSEMENT DE 90 JOURS

Si l'acheteur n'est pas entièrement satisfait, pour quelque raison que ce soit, du rendement de l'outil électrique, du laser ou de la cloueuse DEWALT, celui-ci peut le retourner, accompagné d'un reçu, dans les 90 jours à compter de la date d'achat pour obtenir un remboursement intégral, sans aucun problème.

AMÉRIQUE LATINE : cette garantie ne s'applique aux produits vendus en Amérique latine. Pour ceux-ci, veuillez consulter les informations relatives à la garantie spécifique présente dans l'emballage, appeler l'entreprise locale ou consulter le site Web pour les informations relatives à cette garantie.

REEMPLACEMENT GRATUIT DES ÉTIQUETTES D'AVERTISSEMENT : si les étiquettes d'avertissement deviennent illisibles ou sont manquantes, composer le 1 800 433-9258 (1 800 4-DEWALT) pour en obtenir le remplacement gratuit.

DCR015 WORK SITE CHARGER / RADIO

WARNING TO REDUCE THE RISK OF INJURY, USER MUST READ INSTRUCTION MANUAL. USE WITH DEWALT BATTERY. OTHERS MAY BURST CAUSING PERSONAL INJURY AND DAMAGE. DO NOT OPEN. NO SERVICEABLE PARTS. THIS CLASS B DIGITAL APPARATUS COMPLES WITH CANADIAN ICES-95. THIS DEVICE COMPLES WITH PART 15 OF THE FCC RULES. OPERATION IS SUBJECT TO THE FOLLOWING TWO CONDITIONS: 1) THIS DEVICE MAY NOT CAUSE HARMFUL INTERFERENCE AND 2) THIS DEVICE MUST ACCEPT ANY INTERFERENCE RECEIVED INCLUDING INTERFERENCE THAT MAY CAUSE UNDESIRABLE OPERATION.

ADVERTENCIA/AVERTISSEMENT PARA REDUCIR EL RIESGO DE LESIONES, EL USUARIO DEBERÁ LEER EL MANUAL DE INSTRUCCIONES. USAR CON UNA BATERÍA DEWALT. OTRAS BATERÍAS PODRÍAN ESTALLAR Y PRODUCIR LESIONES PERSONALES Y DAÑO. NO ABRIRE. NO COMPONENTES REPARABLES. ESTE APARATO DE LA CLASE B DIGITAL SE CONFORMA CON LAS REGLAS CANADIESES. ESTE APARATO CUMPLE CON LA SECCIÓN 15 DE LAS REGLAS FCC. LA OPERACIÓN DEL PRODUCTO ESTÁ SUJETA A LAS DOS CONDICIONES SIGUIENTES: 1) ESTE APARATO NO DEBE CAUSAR INTERFERENCIA PERJUDICIAL Y 2) ESTE APARATO DEBE ACEPTAR CUALQUIER INTERFERENCIA RECIBIDA, INCLUYENDO LA INTERFERENCIA QUE PODRÍA CAUSAR UN FUNCIONAMIENTO INDESEABLE. A THE USER MUST ACCEPT ANY INTERFERENCE RECEIVED INCLUDING INTERFERENCE THAT MAY CAUSE UNDESIRABLE OPERATION AND 2) THIS DEVICE MUST ACCEPT ANY INTERFERENCE RECEIVED INCLUDING INTERFERENCE THAT MAY CAUSE UNDESIRABLE OPERATION.

CAUTION ADVERTENCIA MISE EN GARDE
 RISK OF ELECTRIC SHOCK DO NOT OPEN. RIESGO DE CHOQUE ELÉCTRICO NO ABRIRE. RISQUE DE SECOURS ÉLECTRIQUE NE PAS OUVRIR.
 DEWALT INDUSTRIAL TOOL CO. BALTIMORE, MD 21048 U.S.A.
 FOR SERVICE INFORMATION, CALL 1-800-4-DEWALT www.dewalt.com

DEWALT 12V MAX / 20V MAX LITHIUM ION

DCR015 HOT/COLD DELAY

PACK CHARGING PROBLEM PACK OR CHARGER

PACK CHARGED

SEE SAFETY INFORMATION ON UNDERSIDE OF CHARGER. VER LA INFORMACIÓN DE SEGURIDAD EN LA PARTE INFERIOR DE CARGADOR. VÉR LA INFORMACIÓN DE SEGURIDAD EN LA PARTE INFERIOR DE CARGADOR.

Français

Definiciones: Normas de seguridad

Las siguientes definiciones describen el nivel de gravedad de cada palabra de señal. Lea el manual y preste atención a estos símbolos.

▲ PELIGRO: Indica una situación de peligro inminente que, si no se evita, provocará **la muerte o lesiones graves**.

▲ ADVERTENCIA: Indica una situación de peligro potencial que, si no se evita, **podría provocar la muerte o lesiones graves**.

▲ ATENCIÓN: Indica una situación de peligro potencial que, si no se evita, **posiblemente provocaría lesiones leves o moderadas**.

AVISO: Se refiere a una práctica **no relacionada a lesiones corporales** que de no evitarse **puede resultar en daños a la propiedad**.

SI TIENE ALGUNA DUDA O ALGÚN COMENTARIO SOBRE ÉSTA U OTRA HERRAMIENTA DEWALT, LLÁMENOS AL NÚMERO GRATUITO: **1-800-4-DEWALT (1-800-433-9258)**.



ADVERTENCIA: Para reducir el riesgo de lesiones, lea el manual de instrucciones.

Cargador/Radio de Trabajo Pesado para el Sitio de Trabajo DCR015

La cargador/radio para emplazamientos de trabajo pesado DCR015 es una combinación de radio AM/FM y cargador DEWALT. La DCR015 carga la mayoría de las baterías DEWALT de iones de litio (Li-Ion) de 12 V Max* y 20 V Max*. Las baterías se venden por separado.


Instrucciones importantes sobre seguridad


1. Lea estas instrucciones.
2. Conserve estas instrucciones.
3. Obedezca todas las advertencias.
4. Siga todas las instrucciones.
5. No use este aparato cerca del agua.
6. Limpie únicamente con un trapo seco.
7. No obstruya las aberturas de ventilación. Instale de conformidad con las instrucciones del fabricante.
8. No instale cerca de fuentes de calor como radiadores, rejillas de calefacción, estufas ni otros aparatos (incluyendo amplificadores) que produzcan calor.
9. No anule el propósito de seguridad de la clavija para conexión a tierra o polarizada. Una clavija polarizada tiene dos patas, una más ancha que la otra. Una clavija para conexión a tierra tiene dos patas, más una tercera para la conexión a tierra. La pata ancha o la tercera pata se proporcionan para su seguridad. Si la clavija de la unidad no se acopla a la toma de corriente, consulte a un electricista para que reemplace la toma de corriente obsoleta.
10. Evite que caminen sobre el cable y protéjalo contra aplastamientos, particularmente en la clavija, las toma de corriente y el punto en el que sale del aparato.
11. Utilice únicamente los aditamentos y accesorios especificados por el fabricante.
12. Sólo coloque la radio sobre una superficie nivelada y estable.
13. Desconecte este aparato durante tormentas eléctricas o cuando no vaya a usarlo por períodos prolongados.

14. Deje todo el mantenimiento en manos de personal calificado. Se requiere servicio cuando el aparato se haya dañado de cualquier modo, como por ejemplo si el cable o la clavija se dañan, si se ha derramado líquido o han caído objetos dentro del aparato, o si el aparato se ha expuesto a lluvia o humedad, no opera normalmente o se haya caído.



15. El aparato no quedará expuesto a goteos ni a salpicaduras, y no se colocarán sobre el aparato objetos llenos de líquido, tales como jarrones.

 El relámpago con punta de flecha dentro de un triángulo pretende señalar al usuario que en el interior del producto hay piezas que constituyen un riesgo de choque eléctrico para las personas.

 El signo de exclamación dentro de un triángulo pretende señalar al usuario que hay instrucciones importantes sobre la operación y el servicio en los documentos que vienen con la unidad.

NOTA: Este equipo ha sido probado y se ha encontrado que cumple con los límites establecidos para dispositivos digitales Clase B, en conformidad con la Parte 15 del Reglamento de la FCC. Estos límites están diseñados para ofrecer un nivel razonable de protección contra la interferencia dañina en instalaciones residenciales. Este equipo genera, utiliza y puede emitir energía de radiofrecuencia y, si no se instala y utiliza de acuerdo a las instrucciones proporcionadas, puede producir una interferencia dañina para la comunicación radial. Sin embargo, no existen garantías de que no ocurra interferencia alguna en una instalación en particular. Si este equipo produce interferencia dañina para su recepción de radio o televisión, lo que puede ser determinado al apagar y volver a encender el equipo, se pide al usuario que corrija la interferencia implementando una o más de las siguientes medidas:

- Cambie la orientación o el lugar donde está ubicada la antena receptora.
- Aumente el espacio que separa al equipo del receptor.
- Conecte el equipo a una toma de corriente que esté en un circuito diferente al circuito al que está conectado el receptor.
- Consulte con el concesionario o con un técnico de radio y televisión experimentado que pueda ayudarle.

AVISO: De acuerdo con la FCC Parte 15, los cambios o modificaciones a este equipo que no sean expresamente aprobados por DEWALT podrían invalidar su autoridad para operar este equipo.

- La etiqueta de su herramienta puede incluir los siguientes símbolos.

A continuación se indican los símbolos y sus definiciones:

V.....voltios	A..... amperios
Hz.....hertz	W..... vatios
minminutos	~ o AC..... corriente alterna
— — — o DC....corriente directa	⎓ o AC/DC... corriente alterna
Ⓢ.....Construcción de Clase I (tierra) alterna
Ⓜ.....Construcción de Clase II (doble aislamiento)	n..... velocidad nominal
.../minpor minuto	n ₀ velocidad sin carga
IPM.....impactos por minuto	⊕..... terminal de conexión a tierra
sfpm.....pies de superficie por minuto	

RPM.....revoluciones por minuto	▲..... símbolo de advertencia
BPM.....golpes por minuto	de seguridad
SPM.....pasadas por minuto	

Instrucciones de seguridad importantes para todas las unidades de batería

Cuando solicite unidades de batería de repuesto, no olvide indicar el número de catálogo y el voltaje. Consulte la tabla al final de este manual para ver la compatibilidad entre cargadores y unidades de batería.

La unidad de batería no viene completamente cargada de fábrica. Antes de usar la unidad de batería y el cargador, lea las siguientes instrucciones de seguridad. Luego, siga los procedimientos de carga indicados.

LEA TODAS LAS INSTRUCCIONES

- **No cargue o use la unidad de batería en atmósferas explosivas, como en presencia de líquidos, gases o polvos inflamables.** Puede que al insertar o sacar la unidad de batería del cargador se inflamen el polvo o los gases.
- **NUNCA fuerce la unidad de batería para que entre en el cargador. NO modifique la unidad de batería en ninguna forma para que entre en un cargador no compatible, pues puede producir una ruptura en la unidad de batería y causar lesiones corporales graves.** Consulte la tabla al final de este manual para ver la compatibilidad entre baterías y cargadores.
- Cargue las unidades de batería sólo en los cargadores designados por DEWALT.
- **NO salpique con ni sumerja en agua u otros líquidos.**

- **No guarde ni use la herramienta y unidad de batería en lugares donde la temperatura pueda alcanzar o superar los 40 °C (105 °F), tales como cobertizos o construcciones de metal durante el verano.** Almacene las unidades de batería en lugares frescos y secos para maximizar su vida útil.

NOTA: No almacene las unidades de batería en la herramienta con el interruptor de gatillo en posición encendida fija. Nunca use cinta adhesiva para mantener el interruptor de gatillo en posición ENCENDIDA.

▲ ADVERTENCIA: Peligro de incendio. Nunca intente abrir la unidad de batería por ningún motivo. Si la caja exterior de la unidad de batería se triza o daña, no la introduzca en el cargador. No triture, deje caer o dañe la unidad de batería. No use una unidad de batería o un cargador que haya sido golpeado, dejado caer, atropellado o dañado en cualquier forma (por ejemplo, perforado por un clavo, golpeado con un martillo, pisado). Lleve sus unidades de batería dañadas al centro de servicio para que sean recicladas.

▲ ADVERTENCIA: Peligro de incendio. No guarde ni transporte la unidad de batería de manera que objetos metálicos puedan hacer contacto con los terminales expuestos de la batería. Por ejemplo, no ponga la unidad de batería en delantales, bolsillos, cajas de herramientas, estuches de productos, cajones, etc., junto con clavos, tornillos, llaves, etc., sueltos. **El transporte de baterías puede causar incendios si sus terminales inadvertidamente entran en contacto con materiales conductores como llaves, monedas, herramientas de mano y otros por el estilo.** El Reglamento sobre Materiales Peligrosos (HMR) del Ministerio de Transporte de los Estados Unidos actualmente prohíbe el transporte de baterías en el comercio o en aviones (por ejemplo, embaladas en maletas y maletines de mano) A NO SER que estén debidamente protegidas para prevenir cortocircuitos. Por lo tanto, cuando transporte unidades de batería individuales, asegúrese de que sus terminales estén protegidos y debidamente aislados de materiales que pudieran entrar en contacto con ellos y causar un cortocircuito.

INSTRUCCIONES DE SEGURIDAD ESPECÍFICAS PARA BATERÍAS DE IONES DE LITIO (Li-Ion)

- **No incinere la unidad de batería, aunque esté completamente dañada o descargada. La unidad de batería puede explotar si se quema.** Cuando se queman unidades de batería de iones de litio, se producen gases y materiales tóxicos.
- **Si el contenido de la batería entra en contacto con la piel, lave el área de inmediato con agua y un jabón suave.** Si el líquido de la batería entra en contacto con sus ojos, enjuáguelos con agua y los ojos abiertos por 15 minutos o hasta que cese la irritación. Si se requiere de asistencia médica, el electrolito de la batería está compuesto por una mezcla de carbonatos orgánicos líquidos y sales de litio.
- **El contenido de los elementos abiertos de la batería puede causar irritación en el tracto respiratorio.** Salga al aire fresco. Si los síntomas persisten, busque asistencia médica.

⚠ ADVERTENCIA: Peligro de quemaduras. El líquido de la batería puede ser inflamable si se expone a chispas o llamas.

El sello RBRC™

El sello RBRC™ (Rechargeable Battery Recycling Corporation) en las baterías (unidades de batería) de níquel cadmio, níquel e hidruro metálico o de iones de litio indica que el costo de reciclaje de estas baterías (o unidades de batería) al llegar al final de su vida de servicio ya ha sido pagado por DEWALT. En algunas áreas, es ilegal depositar baterías de níquel cadmio, níquel e hidruro metálico o de iones de litio gastadas en la basura o la corriente de residuos sólidos urbanos; el programa RBRC proporciona una alternativa ecológica.

RBRC™, en cooperación con DEWALT y otros usuarios de baterías, han establecido programas en los Estados Unidos y Canadá para facilitar la recolección de baterías de níquel cadmio, níquel e hidruro metálico o de iones de litio gastadas. Al llevar sus baterías de níquel



cadmio, níquel e hidruro metálico y de iones de litio gastadas a un centro de servicio autorizado por DEWALT o al minorista local para que sean recicladas, ayuda a proteger el medio ambiente y a conservar recursos naturales. También puede comunicarse con el centro de reciclaje de su localidad para mayor información sobre dónde llevar sus baterías gastadas.

RBRC™ es una marca comercial registrada de Rechargeable Battery Recycling Corporation.

Instrucciones importantes de seguridad para todos los cargadores de baterías

GUARDE ESTAS INSTRUCCIONES: Este manual contiene instrucciones de seguridad y operación importantes para los cargadores de baterías.

- Antes de usar el cargador, lea todas las instrucciones y advertencias que se encuentren en el cargador, la unidad de batería y el producto que usa la unidad de batería.

⚠ ADVERTENCIA: Peligro de descarga eléctrica. No permita que ningún líquido se introduzca en el cargador. Puede producir descargas eléctricas.

⚠ ATENCIÓN: Peligro de quemaduras. Para reducir el riesgo de lesiones, sólo cargue unidades de batería recargables marca DEWALT. Otros tipos de batería podrían sobrecalentarse y reventar lo que podría resultar en lesiones corporales y daños a su propiedad.

AVISO: Bajo ciertas condiciones, cuando el cargador está enchufado a una toma de corriente, el cargador puede hacer cortocircuito si entra en contacto con algún material ajeno. Los materiales ajenos de naturaleza conductora, como el polvo de esmerilado, las placas de metal, la lana de acero, el papel de aluminio y otros, o cualquier acumulación de partículas metálicas deberían mantenerse alejados de las cavidades del cargador. Desenchufe siempre el cargador cuando no haya una unidad de batería en su cavidad. Desenchufe el cargador antes de intentar limpiarlo.

- **NO intente cargar la unidad de batería con otros cargadores que no sean los descritos en este manual.** El cargador y la unidad de batería fueron específicamente diseñados para trabajar en conjunto.
- **Estos cargadores no fueron diseñados para ser utilizados para más que cargar las baterías recargables DEWALT.** Cualquier otro uso puede producir riesgo de incendios, descargas eléctricas o electrocución.
- **No exponga el cargador a la lluvia o a la nieve.**
- **Tire del enchufe y no del cable cuando desconecte el cargador.** De esta forma se reduce el riesgo de daño al enchufe y cable.
- **Asegúrese de que el cable no sea ubicado de manera que podría ser pisado, causar que alguien tropiece con él o ser expuesto a otro tipo de daños y desgastes.**
- **No use un alargador a menos que sea absolutamente necesario.** El uso de un alargador incorrecto podría producir riesgo de incendios, descargas eléctricas o electrocución.
- **Cuando opere un cargador al exterior, hágalo siempre en un lugar seco y use un alargador apropiado para uso al exterior.** El uso de un alargador apropiado para uso al exterior reduce el riesgo de descarga eléctrica.
- **Los hilos del alargador deben ser de un calibre apropiado (AWG o American Wire Gauge) para su seguridad.** Mientras menor sea el calibre del hilo, mayor la capacidad del cable. Es decir, un hilo calibre 16 tiene mayor capacidad que uno de 18. Un cable de un calibre insuficiente causará una caída en la tensión de la línea dando por resultado una pérdida de energía y sobrecalentamiento. Cuando se utilice más de un alargador para completar el largo total, asegúrese que los hilos de cada alargador tengan el calibre mínimo. La tabla siguiente muestra el tamaño correcto a utilizar, dependiendo de la longitud del cable y del amperaje nominal de la placa de identificación. Si tiene dudas

sobre cuál calibre usar, use un calibre mayor. Cuanto menor sea el número del calibre, más resistente será el cable.

Calibre mínimo para cables de alimentación						
Amperaje		Voltios	Largo total del cordón en metros (pies)			
			120 V	7,6 (25)	15,2 (50)	30,5 (100)
		240 V	15,2 (50)	30,5 (100)	61,0 (200)	91,4 (300)
Más de	No más de	AWG				
0	6		18	16	16	14
6	10		18	16	14	12
10	12		16	16	14	12
12	16		14	12	No recomendado	

- **No coloque ningún objeto encima del cargador ni coloque a este sobre una superficie blanda que pudiera bloquear las ranuras de ventilación y resultar en un calor interno excesivo.** Coloque el cargador en un lugar alejado de cualquier fuente de calor. El cargador se ventila a través de las ranuras que se encuentran en la parte superior e inferior de la caja protectora.
- **No opere el cargador si su cable o enchufe están dañados.**
- **No opere el cargador si ha recibido un golpe agudo, si se ha caído o si ha sido dañado de alguna otra forma.** Llévelo a un centro de servicio autorizado.
- **No desarme el cargador; llévelo a un centro de servicio autorizado cuando deba ser reparado.** Si es reensamblado incorrectamente, puede causar descargas eléctricas, electrocución o incendios.
- **Desenchufe el cargador antes de intentar limpiarlo. Esto reducirá el riesgo de descargas eléctricas.** El retirar el paquete de baterías no reducirá este riesgo.
- **NUNCA** intente conectar 2 cargadores entre sí.

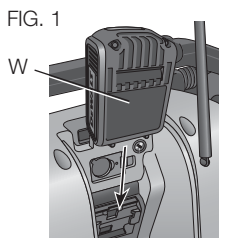
- **El cargador está diseñado para operar con una corriente eléctrica estándar residencial de 120 V. No intente usarlo con ningún otro voltaje. Esto no aplica al cargador vehicular.**

Cargadores

Su herramienta utiliza un cargador DEWALT. Asegúrese de leer todas las instrucciones de seguridad antes de utilizar su cargador. Consulte el gráfico al final del manual para conocer la compatibilidad entre los cargadores y los paquetes de baterías.

Procedimiento de carga (Fig. 1)

1. Enchufe el cargador en una toma de corriente apropiada antes de insertar la unidad de batería.
2. Inserte la unidad de batería (W) en el cargador, como se muestra en la Figura 1, comprobando que quede bien colocado dentro del mismo. La luz roja (de carga) parpadeará continuamente para indicar que se ha iniciado el proceso de carga.
3. La luz roja se quedará ENCENDIDA continuamente cuando se haya completado el proceso de carga. La unidad estará entonces completamente cargada y podrá ser utilizado de inmediato o dejarse en el cargador.



Operación de la luz indicadora

	UNIDAD EN PROCESO DE CARGA	— — — — —
	UNIDAD CARGADA	—————
	RETRASO POR UNIDAD CALIENTE/FRÍA	— • — • — • — • — • — •
	UNIDAD O CARGADOR CON PROBLEMAS	••••••••••••••••••

Indicadores de carga

Este cargador ha sido diseñado para detectar ciertos problemas que pudieran surgir. Estos problemas se indican mediante una luz roja intermitente rápida. Si esto ocurre, vuelva a colocar la unidad de batería en el cargador. Si el problema persiste, pruebe con otra unidad de batería para determinar si el cargador está funcionando debidamente. Si la segunda unidad de batería carga correctamente, significa que la primera está fallada y debería ser llevada a un centro de servicio u otro lugar de colección para su reciclaje. Si la segunda unidad de batería hace que el cargador indique el mismo problema que la primera, lleve el cargador y la unidad de batería a un centro de servicio autorizado para su examinación.

RETARDO POR UNIDAD CALIENTE/FRÍA

Este cargador tiene una función de retardo por unidad caliente/fría: cuando el cargador detecta una batería caliente, inmediatamente empieza un retardo por unidad caliente y suspende la carga hasta que la batería se haya enfriado. Una vez enfriada la batería, el cargador pasará automáticamente a la modalidad de carga de la unidad. Esta función asegura la máxima duración de su batería. La luz roja parpadeará a intervalos largos, luego cortos cuando esté en modalidad de retardo por unidad caliente/fría.

PERMANENCIA DE LA UNIDAD DE BATERÍA EN EL CARGADOR

El cargador y la unidad de batería pueden dejarse conectados con la luz del cargador indicando que la unidad está cargada.

UNIDADES DE BATERÍA DESGASTADAS: Las baterías desgastadas seguirán funcionando pero no debe esperarse que tengan capacidad para la misma cantidad de trabajo.

UNIDADES DE BATERÍA DEFECTUOSAS: Este cargador no cargará una unidad de batería defectuosa. El cargador indicará que la unidad de batería es defectuosa al no iluminarse o al indicar que existe un problema con la unidad o el cargador.

NOTA: Esto también puede significar que hay un problema con el cargador.

Notas importantes sobre la carga

1. Se puede obtener una mayor duración y un mejor rendimiento si la unidad de batería se carga a una temperatura ambiente de 18–24 °C (65–75 °F). NO cargue la unidad de batería a una temperatura ambiental inferior a +4,5 °C (+40 °F) o superior a +40,5 °C (+105 °F). Esto es importante y evitará causar daños graves a la batería.
2. Puede que el cargador y la unidad de batería se calienten ligeramente durante el proceso de carga. Esto es normal y no representa ningún problema. Para facilitar el enfriamiento de la unidad de batería después del uso, evite colocar el cargador o la unidad de batería en un lugar cálido, como un cobertizo metálico o un remolque sin aislamiento térmico.
3. Una unidad de batería fría se demora el doble del tiempo en cargarse que una unidad de batería caliente. La unidad de batería se cargará a ese ritmo más lento durante todo el ciclo de carga y no volverá a cargarse a la velocidad de carga máxima aún cuando la unidad de batería se caliente.
4. Si la unidad de batería no se carga correctamente:

- a. Verifique el funcionamiento de la toma enchufando una lámpara u otro aparato;
 - b. Revise que la toma de corriente no esté conectada a un interruptor de luz que corte la corriente cuando se corte la luz;
 - c. Mueva el cargador y la unidad de batería a un lugar donde la temperatura ambiental sea aproximadamente 18–24 °C (65–75 °F);
 - d. Si el problema de carga continúa, lleve la herramienta, unidad de batería y el cargador a su centro de servicio local.
5. La unidad de batería debería ser recargada cuando no sea capaz de producir suficiente potencia para trabajos que eran fácilmente realizados antes. NO CONTINÚE usándola bajo estas circunstancias. Siga el procedimiento de carga. También puede cargar una unidad de batería que haya sido usada parcialmente cuando lo desee, sin dañarla.
 6. Los materiales ajenos conductores por naturaleza, tales como, pero sin limitarse a, el polvo del esmerilado, las virutas metálicas, la lana de acero, el papel de aluminio o cualquier acumulación de partículas metálicas deberían mantenerse alejados de las cavidades del cargador. Desenchufe siempre el cargador de la toma de corriente cuando no haya una unidad de batería en su cavidad. Desenchufe el cargador antes de intentar limpiarlo.
 7. No congele ni sumerja el cargador en agua o cualquier otro líquido.

⚠ ADVERTENCIA: Peligro de descarga eléctrica. No permita que ningún líquido se introduzca en el cargador. Puede producir descargas eléctricas.

⚠ ADVERTENCIA: Peligro de quemaduras. No sumerja la unidad de batería en líquido de ningún tipo ni permita que se introduzca ningún tipo de líquido a la unidad de batería. Nunca intente abrir la unidad de batería por ningún motivo. Si la caja plástica de la unidad de batería se triza o rompe, llévela a un centro de servicio para su reciclaje

Recomendaciones de almacenamiento

1. El mejor lugar de almacenamiento es uno que sea fresco y seco, lejos de la luz solar directa y del exceso de calor o frío.
2. Para resultados óptimos durante tiempos prolongados de almacenamiento, se recomienda almacenar la unidad de batería completamente cargada en un lugar fresco y seco fuera del cargador.

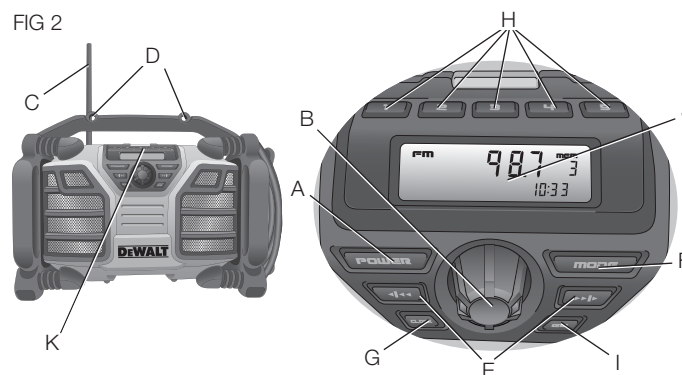
NOTA: Las unidades de batería no deberían almacenarse completamente descargadas. La unidad de batería deberá recargarse antes de ser usada.

GUARDE ESTAS INSTRUCCIONES PARA VOLVER A CONSULTAR EN EL FUTURO

COMPONENTES (FIG. 2)

- | | |
|---|---|
| A. Botón de encendido/apagado | G. Botón de reloj |
| B. Botón de volumen | H. Botones de preselección de radio |
| C. Antena | I. Botón EQ (de estabilización) |
| D. Orificios para colgar | J. Pantalla LCD |
| E. Botones de buscar/sintonizador/flechas | K. Luz indicadora de carga |
| F. Botón de modo | L. Conmutador de selección del cargador (FIG. 3, 4) |

FIG 2



OPERACIÓN

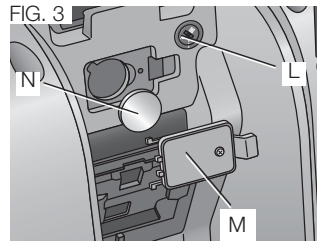
⚠ ADVERTENCIA: Para reducir el riesgo de lesiones personales graves, apague la herramienta y retire el paquete de baterías antes de realizar ajustes o de retirar/instalar dispositivos o accesorios. Un arranque accidental podría causar lesiones.

Su cargador/radio está provisto con capacidad de memoria a fin de almacenar la hora y sus canales de memoria seleccionados. Cuando el radio está en la posición OFF, esta capacidad de memoria es energizada mediante una batería de botón que se incluye con el cargador/radio.

PARA INSTALAR LA BATERÍA DE BOTÓN (FIG. 3)

⚠ ADVERTENCIA: existe riesgo de explosión si la batería se instala en forma incorrecta. Al reemplazar la batería, sustitúyala con una del mismo tipo CR2032 o equivalente. Observe que la polaridad sea la correcta (+ y -) cuando cambie baterías. No almacene o transporte las baterías de modo que otros objetos metálicos pudiesen entrar en contacto con los terminales expuestos de las baterías.

1. Abra el compartimiento de la batería levantando el seguro del compartimiento de la batería.
2. Para retirar el tornillo en la compuerta de la batería (M) dele vuelta en sentido antihorario.
3. Presione sobre el seguro de la compuerta de la batería y hale para abrir.
4. Instale la batería de botón (N) de acuerdo con el diagrama dentro del área de la batería de botón.
5. Vuelva a colocar la compuerta de la batería, inserte el tornillo y apriete.
6. Cierre firmemente el compartimiento de la batería.



NOTA: Para reestablecer la pantalla LCD, el reloj y las configuraciones preestablecidas, saque la pila de botón y vuelva a ponerla. Siga este procedimiento si la pantalla parece bloquearse.

⚠ PELIGRO: NO INGERIR LA PILA; PELIGRO DE QUEMADURA QUÍMICA. Este producto contiene una pila de botón. Si se traga la pila de botón, puede ocasionar graves quemaduras internas en solo dos horas y provocar la muerte.

Manténgase las pilas nuevas y usadas fuera del alcance de los niños. Si el compartimiento de pilas no cierra bien deje de usar el producto y manténgalo fuera del alcance de los niños.

Si cree que las pilas han podido tragarse o ponerse dentro de cualquier parte del cuerpo, busque atención médica inmediatamente.

CONMUTADOR DE SELECCIÓN DEL CARGADOR (FIG. 3, 4)

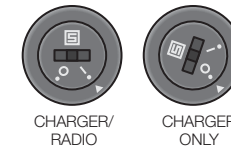
Cuando el aparato esté enchufado en un tomacorriente de CA, este conmutador (L), ubicado en el compartimiento de pilas, le permite poner el dispositivo en su estado de menor consumo de energía (solo cargador) desactivando la radio.

Al alinear la línea y el triángulo se activa el modo de cargador/radio.

Al alinear el círculo y el triángulo se desactiva la radio y el dispositivo se pone en el modo de menor uso energético, solo cargador.

NOTA: Cuando el aparato esté funcionando solamente con pilas, la radio seguirá funcionando en cualquiera de los modos.

FIG. 4



ENCENDIDO/APAGADO Y AJUSTE DE VOLUMEN

1. Para encender y apagar la radio, presione el botón de encendido/apagado (ON/OFF) (A).
2. Gire el botón (B) en sentido horario para subir el volumen. Para bajar el volumen, gire el botón en sentido antihorario.

FUNCIÓN DE MODO

Para elegir una de las funciones de modo (FM1, FM2, AM o AUX) apriete el botón de modo (F) hasta que encuentre la función deseada. Por ejemplo, si la radio está en FM1, como se ve en la parte superior izquierda de la pantalla LCD (J), apriete el botón de modo tres veces para cambiar a AUX.

FUNCIÓN DE SINTONÍA O BÚSQUEDA

Hay dos métodos de sintonía y un método de búsqueda para encontrar la frecuencia deseada.

Para sintonizar:

Presione y mantenga presionado el botón de la flecha derecha (E) para mover rápidamente el sintonizador en la banda de frecuencias. Suelte el botón cuando llegue a la emisora deseada.

Para buscar:

Presione el botón de la flecha izquierda o derecha (E) una vez y suéltelo. La frecuencia del sintonizador cambiará para buscar la primera estación de radio con claridad aceptable y parará en esa estación. Puede apretarse el botón de la flecha derecha para seguir buscando una estación de radio en frecuencias más altas. Puede apretarse el botón de la flecha izquierda para buscar estaciones de radio en frecuencias más bajas. La función de búsqueda está disponible en los modos AM y FM.

PARA PROGRAMAR EL RELOJ

1. Encienda la radio (ver Encendido/apagado y ajuste de volumen).
2. Presione y mantenga presionado el botón del reloj (G) hasta que la hora mostrada en la pantalla LCD (J) empiece a estar intermitente.
3. Presione el botón de la flecha izquierda repetidamente para aumentar la hora mostrada o presione y mantenga presionado el botón para aumentarla continuamente. Use el botón de la flecha derecha para ajustar los minutos de la misma forma.

NOTA: Si no aprieta un botón en 5 segundos, la función de programación de reloj volverá automáticamente a la posición anterior.

4. Una vez que ponga la hora, apriete el botón del reloj para que la hora mostrada deje de estar intermitente.

PARA PROGRAMAR LOS BOTONES DE MEMORIA

Pueden programarse diez estaciones de radio de FM y cinco de AM de forma independiente. Después de programar los botones, al apretar el 1, 2, 3, 4, o 5 se cambiará instantáneamente la frecuencia a la estación programada.

1. Encienda la radio.
2. Ponga la estación deseada (ver Función de sintonía o búsqueda).
3. Apriete y mantenga apretado uno de los botones de preselección de memoria deseados (H). La posición de la estación empieza a aparecer de forma intermitente en la pantalla LCD (J). Siga apretando el botón hasta que deje de estar intermitente. Ahora está fijado el botón de preselección.
4. Repita los pasos 2 y 3 para fijar los otros botones de preselección.

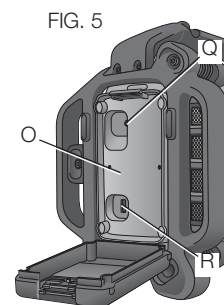
PARA AJUSTAR LA ESTABILIZACIÓN

La calidad del sonido puede ajustarse cambiando la estabilización de los graves o agudos de la radio.

1. Presione el botón EQ para seleccionar los graves o los agudos.
2. Presione el botón de la flecha derecha para aumentar la configuración seleccionada o el botón de la flecha izquierda para disminuirla.
3. Una vez que se logre el ajuste deseado, suelte los botones durante más de 3 segundos. El procedimiento saldrá y el ajuste de estabilización permanecerá activado.

REPRODUCIR AUDIO MEDIANTE UN DISPOSITIVO EXTERNO (FIG. 5)

La caja de almacenamiento del dispositivo de cargador/radio (O) puede almacenar y proteger algunos teléfonos inteligentes u otros dispositivos de audio portátiles. Para reproducir sonido de su dispositivo a través de los altavoces de la DCR015 conecte el cable de audio de 3,5 mm al puerto auxiliar (Q) de la radio y enchúfelo en la clavija de salida de su dispositivo de audio.



El puerto USB (R) carga la mayoría de los dispositivos que pueden aceptar potencia a través de un puerto USB solamente cuando la cargador/radio está enchufada en una fuente de alimentación de CA.

NOTA: Cuando la radio está enchufada cargará la batería instalada. Desenchufada, la radio funcionará hasta 8 horas con una batería totalmente cargada utilizando una batería de Li-Ion de 20 V Max de primera calidad. Con baterías de menor voltaje y amperaje funcionará durante menos tiempo.

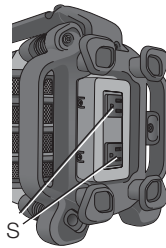
TOMACORRIENTES DE CA (FIG. 6)

La cargador/radio está equipada con dos tomacorrientes de CA (S) para alimentar otras herramientas o aparatos eléctricos.

Notas importantes sobre la radio

1. La recepción variará dependiendo de la ubicación y de la fuerza de la señal de radio.
2. El tener la radio en funcionamiento mientras está conectada a ciertos generadores puede causar ruido de fondo.
3. Lo más probable es que la recepción de AM sea más clara cuando la radio esté alimentada por una batería.

FIG. 6



MANTENIMIENTO

⚠ ADVERTENCIA: Para reducir el riesgo de lesiones personales graves, apague la herramienta y retire el paquete de baterías antes de realizar ajustes o de retirar/instalar dispositivos o accesorios. Un arranque accidental podría causar lesiones.

Limpieza

⚠ ADVERTENCIA: Sople la suciedad y el polvo de todos los conductos de ventilación con aire seco, al menos una vez por semana. Para reducir el riesgo de lesiones, utilice siempre protección para los ojos aprobada ANSI Z87.1 al realizar esta tarea.

⚠ ADVERTENCIA: Nunca utilice solventes ni otros químicos abrasivos para limpiar las piezas no metálicas de la herramienta. Estos productos químicos pueden debilitar los materiales plásticos utilizados en estas piezas. Utilice un paño humedecido sólo con agua y jabón neutro. Nunca permita que penetre líquido dentro de la herramienta ni sumerja ninguna de las piezas en un líquido.

INSTRUCCIONES DE LIMPIEZA DEL CARGADOR

⚠ ADVERTENCIA: Riesgo de descarga eléctrica. Desconecte el cargador del tomacorriente de CA antes de limpiarlo. Se puede usar un paño o un cepillo suave, que no sea metálico, para quitar la suciedad y la grasa de la parte externa del cargador. No use agua ni cualquier otra solución de limpieza.

Accesorios

⚠ ADVERTENCIA: Debido a que no se han probado con este producto otros accesorios que no sean los que ofrece DEWALT., el uso de dichos accesorios con esta herramienta podría ser peligroso. Para reducir el riesgo de lesiones, con este producto deben usarse sólo los accesorios recomendados por DEWALT.

Los accesorios que se recomiendan para utilizar con la herramienta están disponibles a un costo adicional en su distribuidor local o en un centro de mantenimiento autorizado. Si necesita ayuda para localizar algún accesorio, póngase en contacto con DEWALT Industrial Tool Co., 701 East Joppa Road, Baltimore, MD 21286, llame al 1-800-4-DEWALT (1-800-433-9258) o visite nuestro sitio web: www.dewalt.com.

Reparaciones

El unidades de baterías no pueden ser reparados.

Para asegurar la SEGURIDAD y la CONFIABILIDAD del producto, las reparaciones, el mantenimiento y los ajustes deben (inclusive inspección y cambio de carbones) ser realizados en un centro de mantenimiento en la fábrica DEWALT, en un centro de mantenimiento autorizado DEWALT u por otro personal de mantenimiento calificado. Utilice siempre piezas de repuesto idénticas.

PARA REPARACIÓN Y SERVICIO DE SUS HERRAMIENTAS ELÉCTRICAS, FAVOR DE DIRIGIRSE AL CENTRO DE SERVICIO MÁS CERCANO

CULIACAN, SIN

Blvd.Emiliano Zapata 5400-1 Poniente
Col. San Rafael (667) 717 89 99

GUADALAJARA, JAL

Av. La Paz #1779 - Col. Americana Sector Juárez (33) 3825 6978

MEXICO, D.F.

Eje Central Lázaro Cárdenas No. 18
Local D, Col. Obrera (55) 5588 9377

MERIDA, YUC

Calle 63 #459-A - Col. Centro (999) 928 5038

MONTERREY, N.L.

Av. Francisco I. Madero 831 Poniente - Col. Centro (818) 375 23 13

PUEBLA, PUE

17 Norte #205 - Col. Centro (222) 246 3714

QUERETARO, QRO

Av. San Roque 274 - Col. San Gregorio 14 (442) 2 17 63

SAN LUIS POTOSI, SLP

Av. Universidad 1525 - Col. San Luis (444) 814 2383

TORREON, COAH

Blvd. Independencia, 96 Pte. - Col. Centro (871) 716 5265

VERACRUZ, VER

Prolongación Díaz Mirón #4280 - Col. Remes (229) 921 7016

VILLAHERMOSA, TAB

Constitución 516-A - Col. Centro (993) 312 5111

PARA OTRAS LOCALIDADES:

Si se encuentra en México, por favor llame al (55) 5326 7100

**Si se encuentra en U.S., por favor llame al
1-800-433-9258 (1-800 4-DEWALT)**

Póliza de Garantía

IDENTIFICACIÓN DEL PRODUCTO:

Sello o firma del Distribuidor.

Nombre del producto: _____ Mod./Cat.: _____

Marca: _____ Núm. de serie: _____

(Datos para ser llenados por el distribuidor)

Fecha de compra y/o entrega del producto: _____

Nombre y domicilio del distribuidor donde se adquirió el producto:

Este producto está garantizado por un año a partir de la fecha de entrega, contra cualquier defecto en su funcionamiento, así como en materiales y mano de obra empleados para su fabricación. Nuestra garantía incluye la reparación o reposición del producto y/o componentes sin cargo alguno para el cliente, incluyendo mano de obra, así como los gastos de transportación razonablemente erogados derivados del cumplimiento de este certificado.

Para hacer efectiva esta garantía deberá presentar su herramienta y esta póliza sellada por el establecimiento comercial donde se adquirió el producto, de no contar con ésta, bastará la factura de compra.

EXCEPCIONES

Esta garantía no será válida en los siguientes casos:

- Cuando el producto se hubiese utilizado en condiciones distintas a las normales;
- Cuando el producto no hubiese sido operado de acuerdo con el instructivo de uso que se acompaña;
- Cuando el producto hubiese sido alterado o reparado por personas distintas a las enlistadas al final de este certificado.

Anexo encontrará una relación de sucursales de servicio de fábrica, centros de servicio autorizados y franquiciados en la República Mexicana, donde podrá hacer efectiva su garantía y adquirir partes, refacciones y accesorios originales.

Registro en línea

Gracias por su compra. Registre su producto ahora para:

- **SERVICIO EN GARANTÍA:** Si completa esta tarjeta, podrá obtener un servicio en garantía más eficiente, en caso de que exista un problema con su producto.
- **CONFIRMACIÓN DE PROPIEDAD:** En caso de una pérdida que cubra el seguro, como un incendio, una inundación o un robo, el registro de propiedad servirá como comprobante de compra.
- **PARA SU SEGURIDAD:** Si registra el producto, podremos comunicarnos con usted en el caso improbable que se deba enviar una notificación de seguridad conforme a la Federal Consumer Safety Act (Ley Federal de Seguridad de Productos para el Consumidor).

Registro en línea en www.dewalt.com/register.

Garantía limitada por tres años

DEWALT reparará, sin cargo, cualquier falla que surja de defectos en el material o la fabricación del producto, por hasta tres años a contar de la fecha de compra. Esta garantía no cubre fallas de las piezas causadas por su desgaste normal o abuso a la herramienta. Para mayores detalles sobre la cobertura de la garantía e información acerca de reparaciones realizadas bajo garantía, visítenos en www.dewalt.com o diríjase al centro de servicio más cercano. Esta garantía no aplica a accesorios o a daños causados por reparaciones realizadas o intentadas por terceros. Esta garantía le otorga derechos legales específicos, además de los cuales puede tener otros dependiendo del estado o la provincia en que se encuentre.

Además de la garantía, las herramientas DEWALT están cubiertas por:

1 AÑO DE SERVICIO GRATUITO

DEWALT mantendrá la herramienta y reemplazará las piezas gastadas por su uso normal, sin cobro, en cualquier momento durante un año a contar de la fecha de compra. Los artículos gastados por la clavadora, tales como la unidad de hoja y retorno del impulsador, no están cubiertas.

2 AÑOS DE SERVICIO GRATUITO PARA UNIDADES DE ALIMENTACIÓN DEWALT

DC9071, DC9091, DC9096, DC9280, DC9360, DC9180, DCB120, DCB201 y DCB203

3 AÑOS DE SERVICIO GRATUITO PARA UNIDADES DE ALIMENTACIÓN DEWALT

DCB200, DCB204

UNIDADES DE BATERÍA DEWALT

La garantía del producto quedará nula si la unidad de batería ha sido alterada de cualquier manera. DEWALT no es responsable de ninguna lesión causada por alteraciones y podría iniciar un procedimiento judicial por fraude de garantía hasta el máximo grado permisible por la ley.

GARANTÍA DE REEMBOLSO DE SU DINERO POR 90 DÍAS

Si no está completamente satisfecho con el desempeño de su máquina herramienta, láser o clavadora DEWALT, cualquiera sea el motivo, podrá devolverlo hasta 90 días de la fecha de compra con su recibo y obtener el reembolso completo de su dinero – sin necesidad de responder a ninguna pregunta.

AMÉRICA LATINA: Esta garantía no se aplica a los productos que se venden en América Latina. Para los productos que se venden en América Latina, debe consultar la información de la garantía

específica del país que viene en el empaque, llamar a la compañía local o visitar el sitio Web a fin de obtener esa información.

REEMPLAZO GRATUITO DE LAS ETIQUETAS DE ADVERTENCIAS: Si sus etiquetas de advertencia se vuelven ilegibles o faltan, llame al 1-800-433-9258 (1-800-4-DEWALT) para que se le reemplacen gratuitamente.

DCR015 WORK SITE CHARGER / RADIO

WARNING TO REDUCE THE RISK OF INJURY, USER MUST READ INSTRUCTION MANUAL. USE WITH DEWALT BATTERY. OTHERS MAY BURST CAUSING PERSONAL INJURY AND DAMAGE. DO NOT OPEN. NO SERVICEABLE PARTS.

THIS CLASS B DIGITAL APPARATUS COMPLIES WITH CANADIAN ICES-003. THIS DEVICE COMPLIES WITH PART 15 OF THE FCC RULES. OPERATION IS SUBJECT TO THE FOLLOWING TWO CONDITIONS: 1. THIS DEVICE MAY NOT CAUSE HARMFUL INTERFERENCE AND 2. THIS DEVICE MUST ACCEPT ANY INTERFERENCE RECEIVED INCLUDING INTERFERENCE THAT MAY CAUSE UNDESIRABLE OPERATION.

ADVERTENCIA/AVERTISSEMENT PARA REDUCIR EL RIESGO DE LESIONES O DAÑOS, LEER EL MANUAL DE INSTRUCCIONES. ÚSELE CON UNA BATERÍA DEWALT. OTRAS BATERÍAS PODRÍAN ESTALLAR Y PRODUCIR LESIONES CORPORALES Y DAÑOS. NO ABRIRE. NO PARTES REPARABLES.

ESTE APARATO DE LA CLASE B DIGITAL SE CONFORMA CON ICES-003 CANADIENSE. ESTE APARATO CUMPLE CON LA SECCIÓN 15 DE LAS REGLAS FCC. LA OPERACIÓN DEL PRODUCTO ESTÁ SUJETA A LAS SIGUIENTES CONDICIONES: 1. ESTE APARATO NO PODRÁ CAUSAR NINGUNA INTERFERENCIA PERJUDICIAL Y 2) ESTE APARATO DEBERÁ ACEPTAR CUALQUIER INTERFERENCIA RECIBIDA INCLUIDA LA INTERFERENCIA QUE PUEDA CAUSAR UN FUNCIONAMIENTO NO DESEADO.

4. ESTE PRODUCTO QUE ES DIGITAL, OPERA AVEC UN NIVEAU DE BRUIT. IL NE DOIT PAS PRODUIRE DE BRUIT NUISIBLE ET CAUSER DES DOMMAGES CORPORAUX ET MATERIELS. NE PAS OUVRIR. AUCUNE PARTIE REPARABLE.

LES APPAREILS NUMÉRIQUES DE LA CLASSE B SE CONFORMENT AVEC LES NORMES CANADIENNES ICES-003 ET CONFORME À LA SECTION 15 DES NORMES DES ÉTATS-UNIS AMÉRICAINS FCC. SON FONCTIONNEMENT RESPECTE LES DEUX CONDITIONS SUIVANTES: 1. LE PRODUIT NE PEUT CAUSER AUCUNE INTERFÉRENCE NUISIBLE ET 2. IL DOIT ACCEPTER TOUTE INTERFÉRENCE REÇUE. Y COMPRIS DES INTERFÉRENCES QUI POURRAIENT EN ALTÉRER LE FONCTIONNEMENT.

CAUTION **ADVERTENCIA** **MISE EN GARDE**

RISK OF ELECTRIC SHOCK. DO NOT OPEN. RIESGO DE CHOQUE ELÉCTRICO. NO ABRIRE. RISK OF SECOURSSES ELECTRIQUES. NE PAS OUVRIR.

FOR SERVICE INFORMATION, CALL 1-800-4-DEWALT www.DEWALT.com

DEWALT 12V MAX / 20V MAX Lithium-Ion

DCR015

PACK CHARGING (Progressive bars) HOT/COLD DELAY (Progressive bars)

PACK CHARGED (Full bar) PROBLEM PACK OR CHARGER (Flashing bars)

SEE SAFETY INFORMATION ON UNDERSIDE OF CHARGER. VE LA INFORMACIÓN DE SEGURIDAD EN LA PARTE INFERIOR DE CARGADOR. VOIR L'INFORMATION DE SÛRETÉ SUR LE DOS DU CHARGEUR.

Español





DEWALT Industrial Tool Co., 701 East Joppa Road, Baltimore, MD 21286
(APR13) Part No. N291007 DCR015 Copyright © 2013 DEWALT

The following are trademarks for one or more DEWALT power tools: the yellow and black color scheme; the "D" shaped air intake grill; the array of pyramids on the handgrip; the kit box configuration; and the array of lozenge-shaped humps on the surface of the tool.